

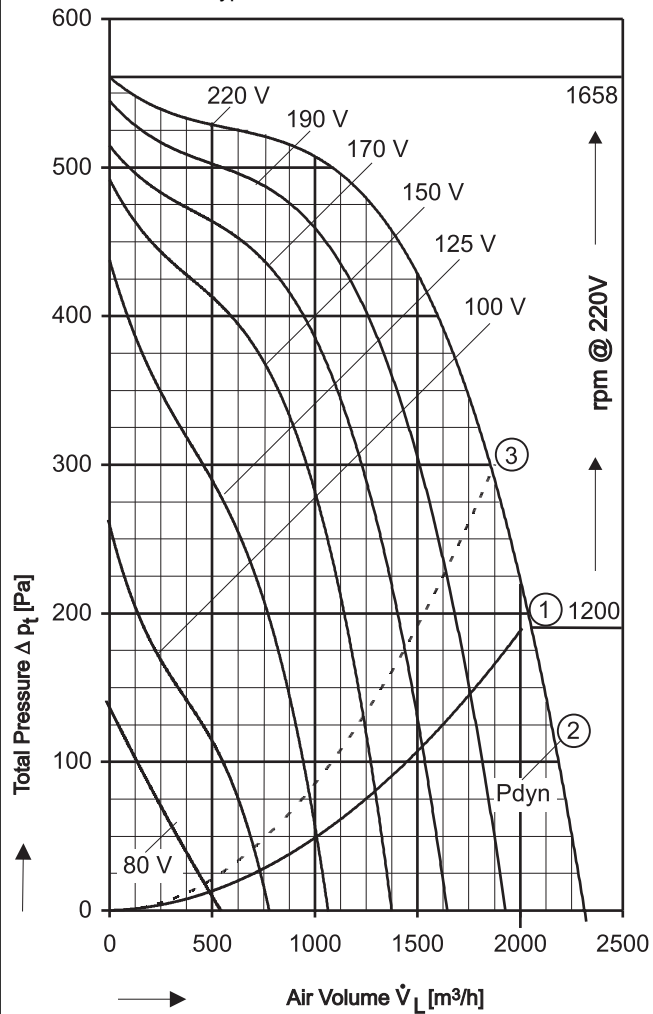
Type: CE = Single Inlet

Performance / Dimensions



Type: CE 670/E 25 [220V 1N~ 60 Hz]

MP Capacitor 16 μ F - 400 VDB
Protection type: IP 65



- ① Free air relating to fan discharge area 0,032 m². Max. permissible ambient temperature 50°C.
- ② Velocity (dynamic) pressure
For Static Pressure Regain see example
- ③ Max. permissible ambient temperature 60°C.

Please state intake side !

For sound data please see extra pages.

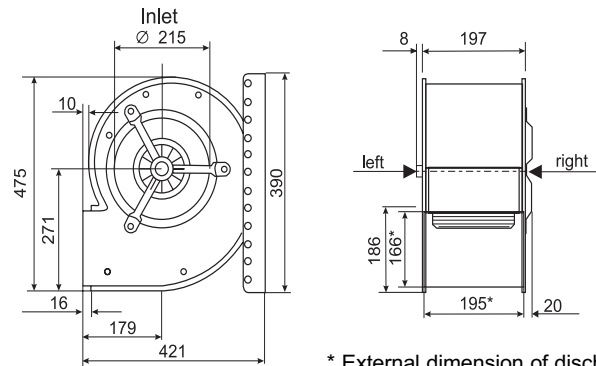
Voltage [V]	Air Volume \dot{V}_L [m ³ /h] at $\rho = 1,2$ kg/m ³ and current [A] (bold figures)							
	Free Air	Total Pressure Δp_t [Pa]						
		100	150	200	250	300	350	400
80	490 1,46	135						
100	735 1,82	545 1,78	320 1,70					
125	1010 2,26	945 2,22	865 2,17	770 2,10	640 2,02			
150	1295 2,69	1270 2,66	1210 2,59	1145 2,52	1060 2,43	960 2,33	825 2,20	
170	1530 2,96		1475 2,89	1405 2,81	1325 2,72	1230 2,61	1110 2,48	945 2,32
190	1765 3,21		1750 3,19	1680 3,10	1600 3,00	1505 2,89	1395 2,77	1255 2,62
220	2050 3,46			2040 3,45	1950 3,34	1850 3,23	1740 3,10	1600 2,96

Save power and even more silent FISCHBACH SPEED CONTROLLERS Manual and Automatic

Voltage Control	Type*	Order-No.*
Stepless 0 - 100% and 100% - 0	FDR 55	6163
Stepwise 7 Steps	FDR 420	6201
FISCHBACH AUTOMATIC CONTROL **	FRA 55	6252

* For further details see resp. catalogue pages

** For details of sensors etc., on request



* External dimension of discharge



The Silent One