

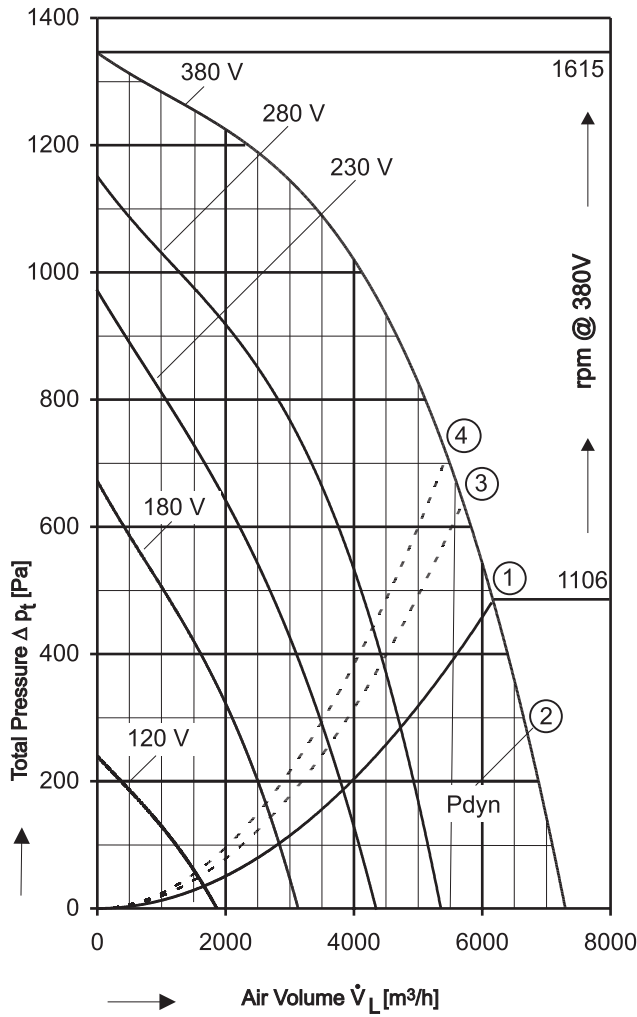
Type: CE = Single Inlet

Performance / Dimensions



Type: CE 9-090/D 2.5 [380V 3N~ 60 Hz]
Protection type: IP 65

Please state intake side !
For sound data please see extra pages.

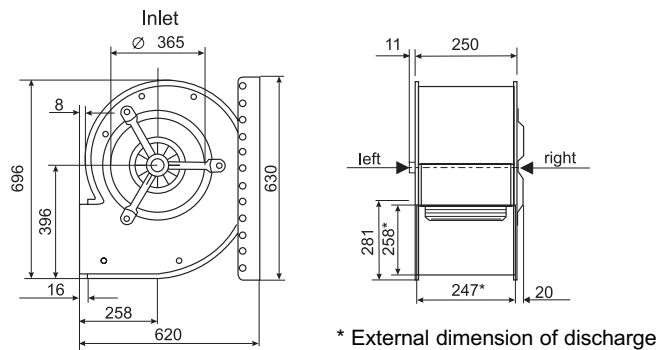


Voltage [V]	Air Volume \dot{V}_L [m³/h] at $\rho = 1,2 \text{ kg/m}^3$ and current [A] (bold figures)							
	Free Air	Total Pressure Δp_t [Pa]						
		300	400	500	600	700	800	1000
120	1600 4,40							
180	2840 6,41	2100 5,87	1615 5,56	1035 5,23				
230	3810 7,67	3470 7,33	3110 6,98	2695 6,61	2220 6,21	1675 5,79		
280	4735 8,66	4690 8,60	4420 8,26	4110 7,89	3760 7,50	3340 7,05	2820 6,54	
380	6180 9,69			6125 9,63	5825 9,30	5495 8,96	5115 8,57	4670 8,13

Save power and even more silent FISCHBACH SPEED CONTROLLERS Manual and Automatic		
Voltage Control	Type*	Order-No.*
Stepless 0 - 100% and 100% - 0	FDR 120/3	6233
Stepwise 5 Steps	FDR 11.3/3	6175
FISCHBACH AUTOMATIC CONTROL **	FRA 120/3	6283

* For further details see resp. catalogue pages
** For details of sensors etc., on request

- ① Free air relating to fan discharge area 0,0622 m². Max. permissible ambient temperature 40°C.
- ② Velocity (dynamic) pressure For Static Pressure Regain see example
- ③ Max. permissible ambient temperature 50°C.
- ④ Max. permissible ambient temperature 60°C.



* External dimension of discharge



The Silent One