

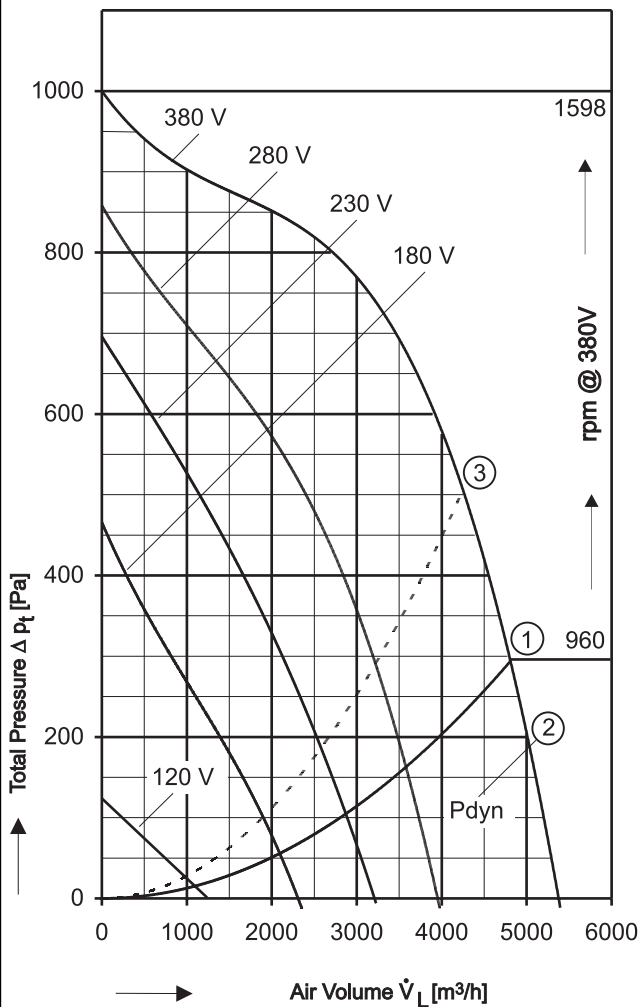
Type: CE = Single Inlet

Performance / Dimensions



Type: CE 990/D 2 [380V 3N~ 60 Hz]
Protection type: IP 65

Please state intake side !
For sound data please see extra pages.

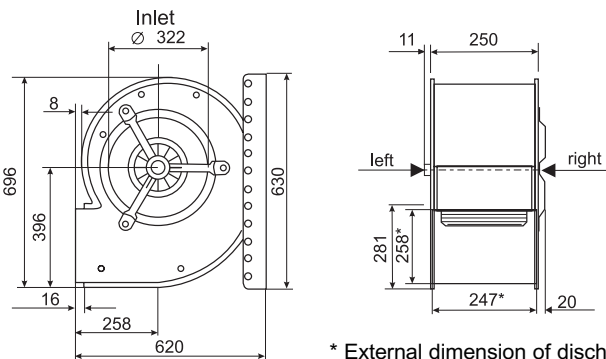


| Voltage [V] | Air Volume \dot{V}_L [m³/h] at $\rho = 1,2 \text{ kg/m}^3$ and current [A] (bold figures) | | | | | | | |
|-------------|---------------------------------------------------------------------------------------------|----------------------------------|---------------------|---------------------|---------------------|---------------------|---------------------|---------------------|
| | Free Air | Total Pressure Δp_t [Pa] | | | | | | |
| | | 200 | 300 | 400 | 500 | 600 | 700 | 800 |
| 120 | 1130 2,54 | | | | | | | |
| 180 | 2080 3,75 | 1390 3,43 | 820 3,71 | | | | | |
| 230 | 2890 4,63 | 2530 4,37 | 2125 4,08 | 1670 3,78 | 1150 3,45 | | | |
| 280 | 3600 5,33 | 3480 5,22 | 3190 4,94 | 2840 4,63 | 2400 4,26 | 1820 3,80 | | |
| 380 | 4810 6,11 | | 4795 6,09 | 4550 5,86 | 4270 5,58 | 3920 5,27 | 3460 4,87 | 2720 4,29 |

| Save power and even more silent FISCHBACH SPEED CONTROLLERS Manual and Automatic | | |
|----------------------------------------------------------------------------------------|-----------|-------------|
| Voltage Control | Type* | Order-No.* |
| Stepless 0 - 100% and 100% - 0 | FDR 80/3 | 6232 |
| Stepwise 5 Steps | FDR 7.8/3 | 6173 |
| FISCHBACH AUTOMATIC CONTROL ** | FRA 80/3 | 6282 |

* For further details see resp. catalogue pages
** For details of sensors etc., on request

- ① Free air relating to fan discharge area 0,0622 m². Max. permissible ambient temperature 50°C.
- ② Velocity (dynamic) pressure
For Static Pressure Regain see example
- ③ Max. permissible ambient temperature 60°C.



* External dimension of discharge



The Silent One