

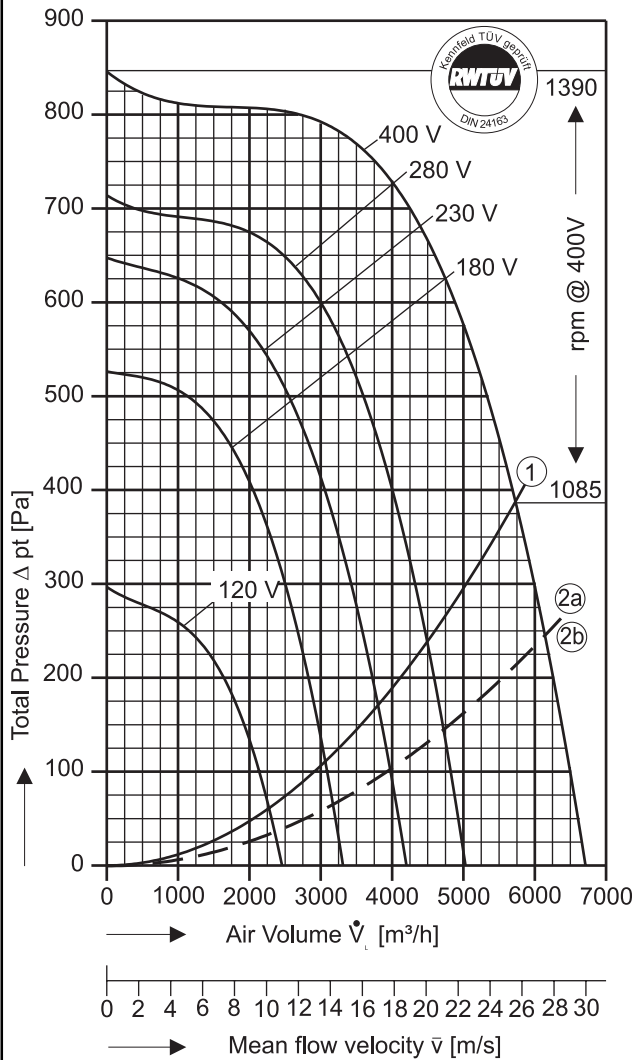
Type: CE = Single Inlet

Performance / Dimensions



Type: CE 990/D 2 [400V 3N~ 50 Hz]
Protection type: IP 65

Please state intake side !
For sound data please see extra pages.



$P_{max} = 3,10 \text{ kW}$ $I_A / I_N = 1,9$ $I_{max} = 5,99 \text{ A}$

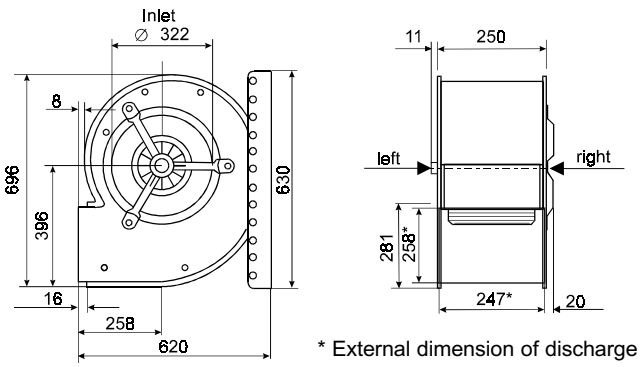
- ① System curve for dynamical pressure part related to fan discharge surface of 0,0622 m². Max. permissible air temperature: 60°C.
- ②a System curve incl. pressure regain by means of TRANSITION PIECE (square to round) with connected duct. Duct length: 1,8 m.
- ②b System curve incl. pressure regain by means of DIFFUSER ANGLE FRAME with connected duct. Duct length: 2,3 m

| Voltage [V] | Air Volume \dot{V}_L [m³/h] at $\rho = 1,2 \text{ kg/m}^3$ and current [A] (bold figures, 2nd. line) | | | | | | | |
|-------------|--|----------------------------------|---------------------|---------------------|---------------------|---------------------|---------------------|---------------------|
| | Free Air | Total Pressure Δp_t [Pa] | | | | | | |
| | | 100 | 200 | 250 | 300 | 400 | 500 | 650 |
| 120 | 2290 3,04 | 2140 2,91 | 1640 2,62 | 1150 2,50 | | | | |
| 180 | 3045 4,23 | | 2830 4,05 | 2675 3,88 | 2500 3,66 | 2050 2,98 | 1140 1,76 | |
| 230 | 3805 5,01 | | 3725 4,93 | 3580 4,77 | 3425 4,59 | 3060 4,12 | 2550 3,42 | |
| 280 | 4480 5,45 | | | 4460 5,43 | 4320 5,27 | 4005 4,91 | 3600 4,42 | 2485 3,10 |
| 400 | 5750 5,99 | | | | | 5690 5,93 | 5330 5,59 | 4600 4,88 |

Save power and even more silent with FISCHBACH SPEED CONTROLLERS FISCHBACH AUTOMATIC CONTROLLERS

| Voltage Control | Type* | Order-No.* |
|---------------------------------|------------|-------------|
| Stepless, 0 - 100% and 100% - 0 | FDR 80/3 | 6232 |
| Stepwise, 5 Steps | FDR 8.0/3 | 6183 |
| FISCHBACH AUTOMATIC CONTROL ** | FRA 80/3 | 6282 |
| Frequency Inverter FFU | on request | |

* For further details see resp. catalogue pages
** For details of sensors etc., on request



* External dimension of discharge



The Silent One

In the above diagram the **TOTAL** pressure (the sum of the dynamic and static pressures) is shown in relation to the air volume, dynamic pressure is shown below system line No.1. Static pressure is shown above that line.

To regain static pressure and reduce dynamic pressure connect a suitable transition piece on the fan outlet.