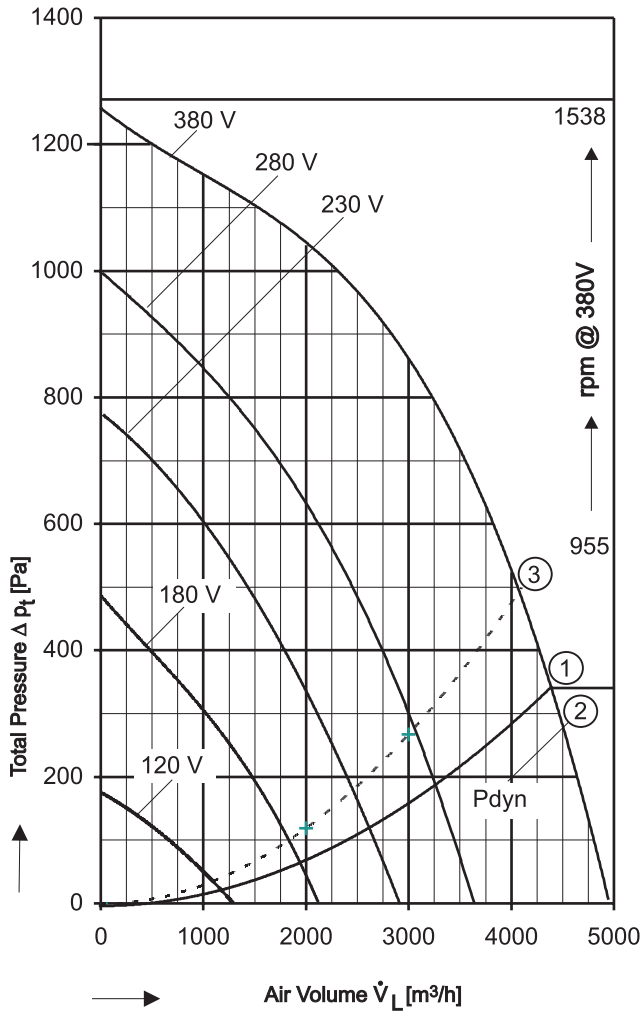


# Type: CFE = Single Inlet "Superflat" Performance / Dimensions



**Type: CFE 9-070/D 2** [380V 3N~ 60 Hz]  
Protection type: IP 65

Please state intake side !  
For sound data please see extra pages.

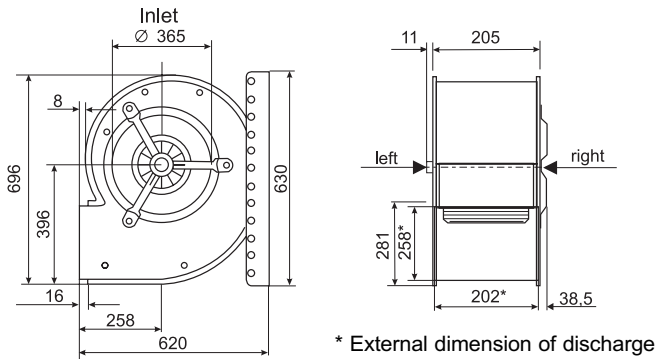


- ① Free air relating to fan discharge area 0,051 m<sup>2</sup>.  
Max. permissible ambient temperature 50°C.
- ② Velocity (dynamic) pressure  
For Static Pressure Regain see example
- ③ Max. permissible ambient temperature 60°C.

Voltage [V]	Air Volume $\dot{V}_L$ [m <sup>3</sup> /h] at $\rho = 1,2 \text{ kg/m}^3$ and current [A] (bold figures)							
	Free Air	Total Pressure $\Delta p_t$ [Pa]						
		150	300	450	600	750	900	1050
120	1190 2,71							
180	1975 <b>4,02</b>	1665 <b>3,86</b>	1030 <b>3,58</b>					
230	2605 <b>4,97</b>	2525 <b>4,90</b>	2105 <b>4,56</b>	1610 <b>4,21</b>	1015 <b>3,87</b>			
280	3255 <b>5,75</b>		3005 <b>5,47</b>	2610 <b>6,06</b>	2130 <b>4,62</b>	1520 <b>4,16</b>		
380	4410 <b>6,76</b>			4205 <b>6,49</b>	3865 <b>6,08</b>	3450 <b>5,61</b>	2900 <b>5,05</b>	2070 <b>4,34</b>

Save power and even more silent FISCHBACH SPEED CONTROLLERS Manual and Automatic		
Voltage Control	Type*	Order-No.*
Stepless 0 - 100% and 100% - 0	FDR 80/3	<b>6232</b>
Stepwise 5 Steps	FDR 7.8/3	<b>6173</b>
FISCHBACH AUTOMATIC CONTROL **	FRA 80/3	<b>6282</b>

\* For further details see resp. catalogue pages  
\*\* For details of sensors etc., on request



The Silent One