

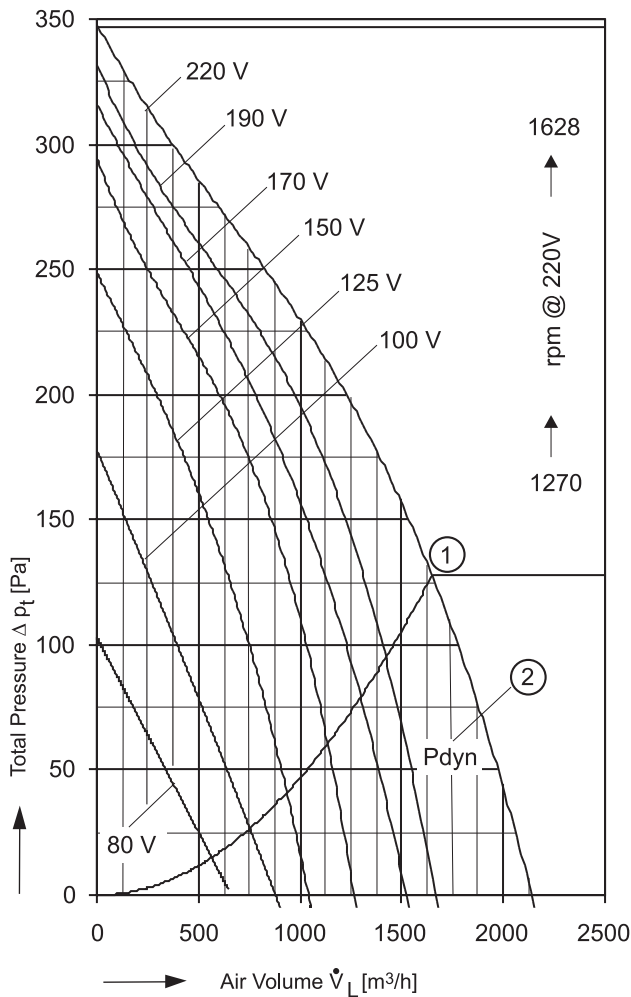
# Type: D = Double Inlet

# Performance / Dimensions



**Type: D 340/E 1** [220V 1N~ 60 Hz]  
 MP Capacitor 10 µF - 400 VDB  
 Protection type: IP 65

For sound data please see extra pages.

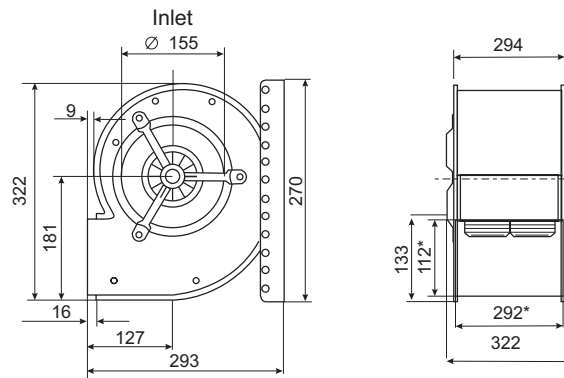


Voltage [V]	Air Volume $\dot{V}_L$ [m³/h] at $\rho = 1,2 \text{ kg/m}^3$ and current [A] (bold figures)							
	Free Air	Total Pressure $\Delta p_t$ [Pa]						
		125	150	175	200	225	250	275
80	565 0,72							
100	757 0,91	270 0,87						
125	935 1,12	655 1,07	550 1,05	430 1,04	295 1,03			
150	1140 1,34	950 1,29	860 1,27	745 1,24	605 1,21	430 1,18	250 1,16	
170	1295 1,50	1135 1,44	1030 1,41	915 1,38	780 1,34	625 1,30	455 1,27	275 1,23
190	1420 1,64	1320 1,60	1225 1,56	1110 1,52	975 1,47	800 1,42	595 1,36	375 1,32
220	1655 1,87		1535 1,82	1390 1,76	1230 1,71	1040 1,64	825 1,58	595 1,52

Save power and even more silent FISCHBACH SPEED CONTROLLERS Manual and Automatic		
Voltage Control	Type*	Order-No.
Stepless 0 - 100% and 100% - 0	FDR 32	6162
Stepwise 7 Steps	FDR 420	6201
FISCHBACH AUTOMATIC CONTROL**	FRA 32	6251

\* For further details see resp. catalogue pages  
 \*\* For details of sensors etc., on request

- ① Free air relating to fan discharge area 0,0314 m². Max. permissible ambient temperature 60°C.
- ② Velocity (dynamic) pressure  
For Static Pressure Regain see example



\* External dimension of discharge



The Silent One