

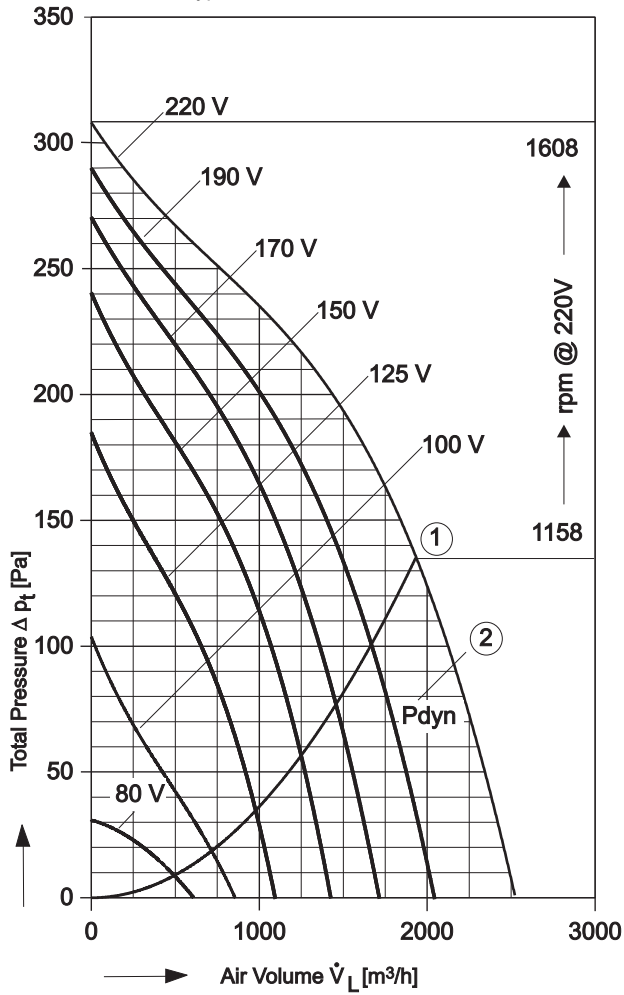
Type: D = Double Inlet

Performance / Dimensions



Type: D 440/E 15 [220V 1N~ 60 Hz]
 MP Capacitor 12 µF - 400 VDB
 Protection type: IP 65

For sound data please see extra pages.

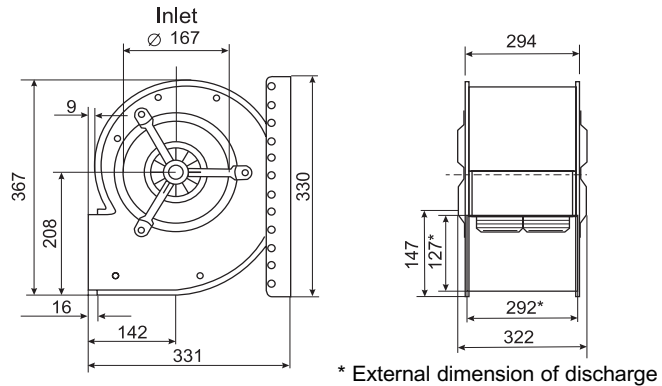


Voltage [V]	Air Volume \dot{V}_L [m³/h] at $\rho = 1,2 \text{ kg/m}^3$ and current [A] (bold figures)							
	Free Air	Total Pressure Δp_t [Pa]						
		50	100	150	175	200	225	250
80	495 0,88							
100	700 1,14	420 1,11						
125	995 1,44	960 1,43	655 1,36	250 1,28				
150	1260 1,72		1070 1,65	770 1,55	560 1,49	320 1,43		
170	1450 1,92		1360 1,88	1095 1,77	925 1,71	705 1,63	445 1,55	
190	1670 2,11		1670 2,11	1400 1,99	1230 1,91	1010 1,82	735 1,72	445 1,61
220	1933 2,33			1840 2,29	1660 2,21	1435 2,11	1145 1,98	770 1,84

Save power and even more silent FISCHBACH SPEED CONTROLLERS Manual and Automatic		
Voltage Control	Type*	Order-No.*
Stepless 0 - 100% and 100% - 0	FDR 32	6162
Stepwise 7 Steps	FDR 420	6201
FISCHBACH AUTOMATIC CONTROL **	FRA 32	6251

* For further details see resp. catalogue pages
 ** For details of sensors etc., on request

- ① Free air relating to fan discharge area 0,0354 m². Max. permissible ambient temperature 60°C.
- ② Velocity (dynamic) pressure
For Static Pressure Regain see example



The Silent One