

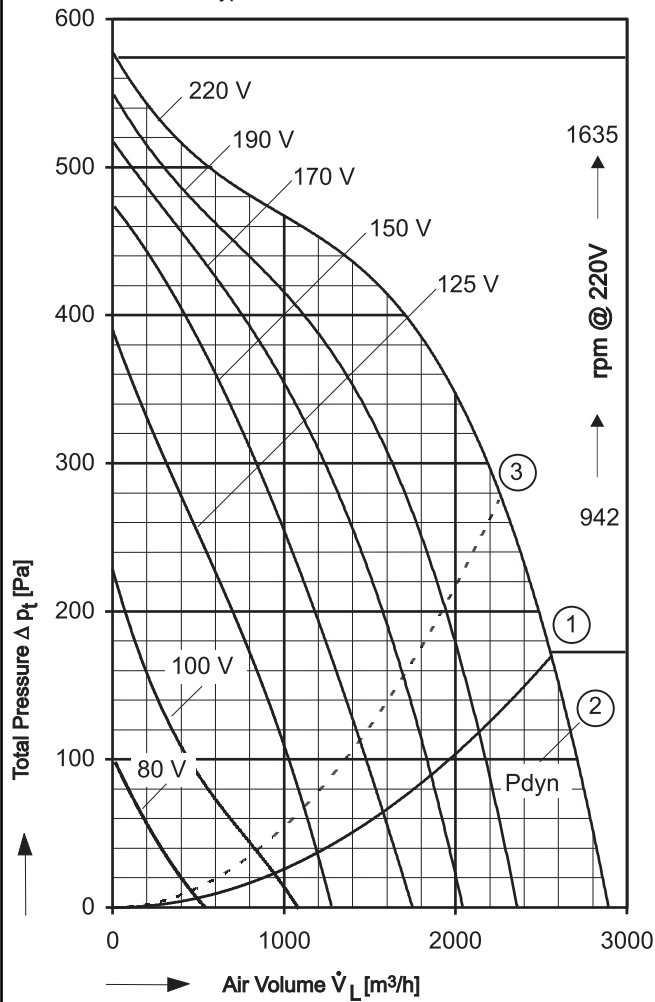
Type: D = Double Inlet

Performance / Dimensions



Type: D 540/E 25 [220V 1N~ 60 Hz]

MP Capacitor 16 μ F - 400 VDB
Protection type: IP 65



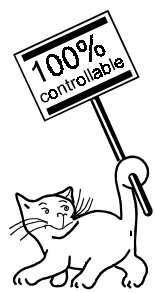
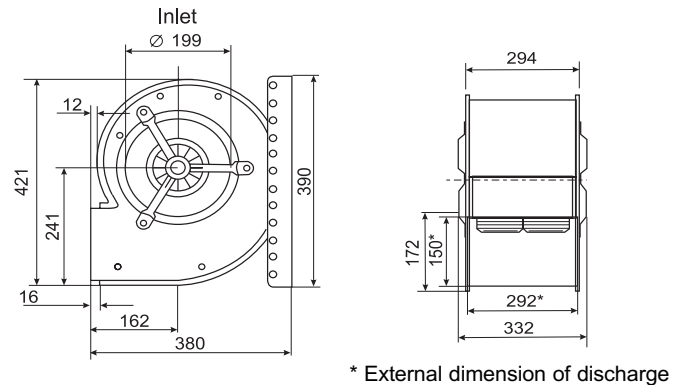
- ① Free air relating to fan discharge area 0,0422 m². Max. permissible ambient temperature 40°C.
- ② Velocity (dynamic) pressure
For Static Pressure Regain see example
- ③ Max. permissible ambient temperature 60°C.

For sound data please see extra pages.

Voltage [V]	Air Volume \dot{V}_L [m ³ /h] at $\rho = 1,2 \text{ kg/m}^3$ and current [A] (bold figures)							
	Free Air	Total Pressure Δp_t [Pa]						
		100	150	200	250	300	350	400
80	500 1,47							
100	940 1,91	440 1,84						
125	1190 2,38	1030 2,29	875 2,21	700 2,12	500 2,03			
150	1580 2,87	1480 2,78	1335 2,66	1185 2,54	1020 2,41	845 2,29		
170	1855 5,21	1830 3,18	1710 3,06	1575 2,92	1420 2,77	1240 2,61	1025 2,43	
190	2135 3,50		2070 3,43	1945 3,29	1805 3,14	1640 2,97	1425 2,76	1135 2,51
220	2560 3,88			2490 3,80	2355 3,64	2190 3,46	1990 3,25	1715 2,98

Save power and even more silent FISCHBACH SPEED CONTROLLERS Manual and Automatic		
Voltage Control	Type*	Order-No.*
Stepless 0 - 100% and 100% - 0	FDR 55	6163
Stepwise 7 Steps	FDR 420	6201
FISCHBACH AUTOMATIC CONTROL **	FRA 55	6252

* For further details see resp. catalogue pages
** For details of sensors etc., on request



The Silent One