

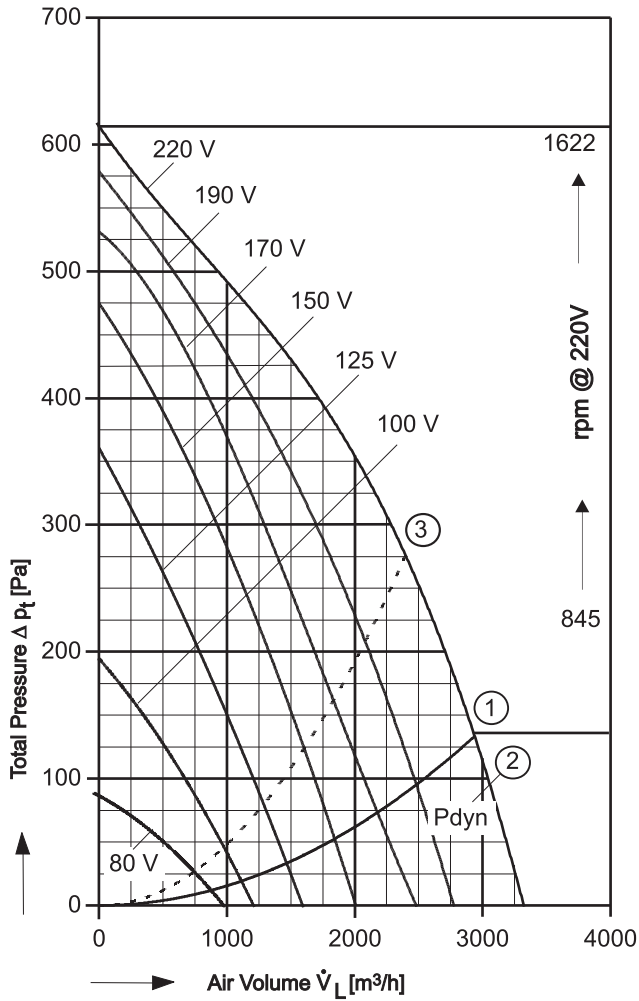
# Type: D = Double Inlet

# Performance / Dimensions



**Type: D 570/E 25** [220V 1N~ 60 Hz]  
 MP Capacitor 16 µF - 400 VDB  
 Protection type: IP 65

For sound data please see extra pages.



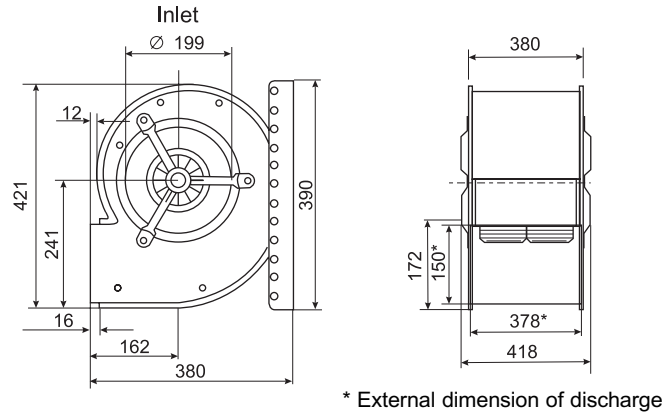
Voltage [V]	Air Volume $\dot{V}_L$ [m³/h] at $\rho = 1,2 \text{ kg/m}^3$ and current [A] (bold figures)							
	Free Air	Total Pressure $\Delta p_t$ [Pa]						
		100	200	250	300	350	400	500
80	885 <b>1,51</b>							
100	1120 <b>1,91</b>	675 <b>1,80</b>						
125	1490 <b>2,41</b>	1210 <b>2,29</b>	790 <b>2,13</b>	560 <b>2,06</b>				
150	1850 <b>2,87</b>	1685 <b>2,76</b>	1330 <b>2,55</b>	1135 <b>2,44</b>	925 <b>2,34</b>			
170	2170 <b>3,23</b>	2075 <b>3,15</b>	1685 <b>2,87</b>	1495 <b>2,74</b>	1295 <b>2,61</b>	1085 <b>2,49</b>		
190	2400 <b>3,56</b>	2465 <b>3,55</b>	2115 <b>3,24</b>	1915 <b>3,08</b>	1700 <b>2,92</b>	1465 <b>2,75</b>	1200 <b>2,58</b>	
220	2945 <b>3,98</b>		2715 <b>3,76</b>	2520 <b>3,59</b>	2290 <b>3,39</b>	2030 <b>3,19</b>	1720 <b>2,96</b>	925 <b>2,47</b>

**Save power and even more silent  
 FISCHBACH SPEED CONTROLLERS  
 Manual and Automatic**

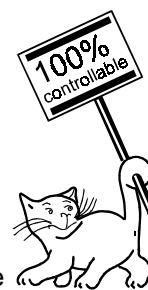
Voltage Control	Type*	Order-No.*
Stepless 0 - 100% and 100% - 0	FDR 55	<b>6163</b>
Stepwise 7 Steps	FDR 420	<b>6201</b>
FISCHBACH AUTOMATIC CONTROL **	FRA 55	<b>6252</b>

\* For further details see resp. catalogue pages  
 \*\* For details of sensors etc., on request

- ① Free air relating to fan discharge area 0,0422 m². Max. permissible ambient temperature 40°C.
- ② Velocity (dynamic) pressure  
For Static Pressure Regain see example
- ③ Max. permissible ambient temperature 60°C.



\* External dimension of discharge



The Silent One