

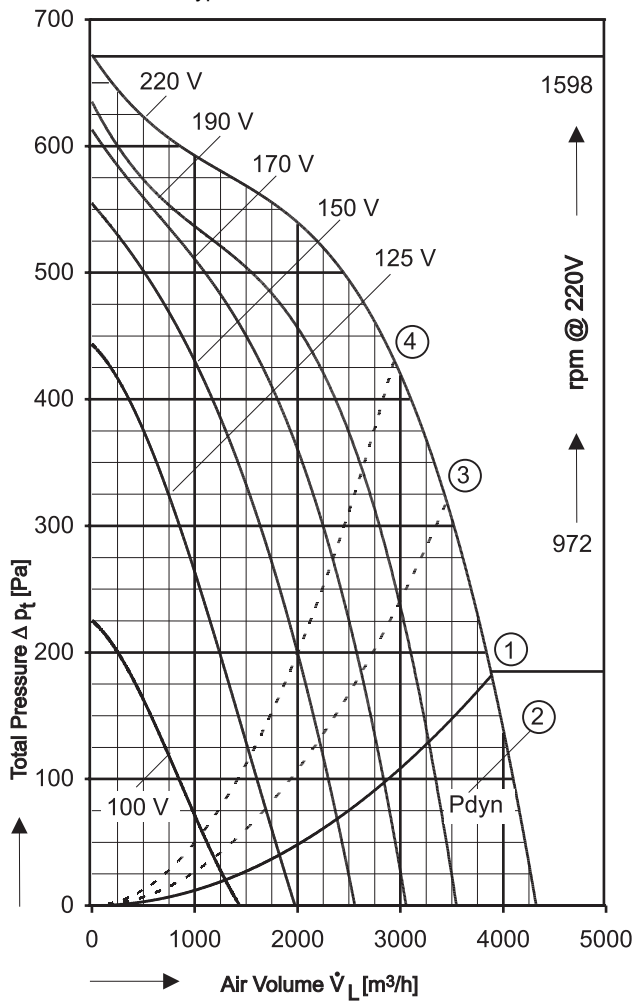
# Type: D = Double Inlet

# Performance / Dimensions



**Type: D 670/E 35** [220V 1N~ 60 Hz]  
 MP Capacitor 25 µF - 400 VDB  
 Protection type: IP 65

For sound data please see extra pages.

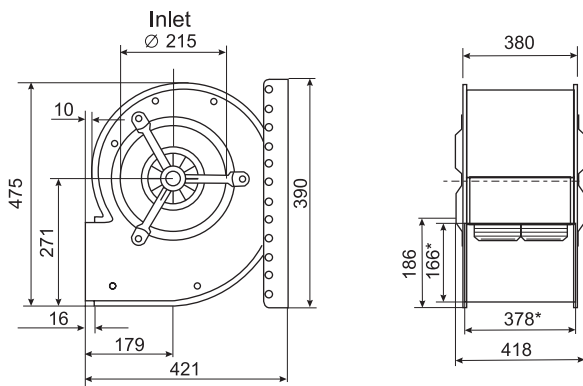


Voltage [V]	Air Volume $\dot{V}_L$ [m³/h] at $\rho = 1,2 \text{ kg/m}^3$ and current [A] (bold figures)							
	Free Air	Total Pressure $\Delta p_t$ [Pa]						
		100	200	250	300	350	400	500
<b>80</b>								
<b>100</b>	1280 2,73	845 2,64						
<b>125</b>	1830 3,45	1605 3,35	1240 3,18	1055 3,11				
<b>150</b>	2380 4,12	2295 4,06	2000 3,86	1825 3,75	1635 3,63	1420 3,50		
<b>170</b>	2835 4,67	2835 4,67	2575 4,44	2420 4,31	2250 4,17	2045 4,02	1805 3,84	
<b>190</b>	3270 5,08		3100 4,92	2960 4,80	2795 4,65	2605 4,49	2370 4,31	1555 3,74
<b>220</b>	3890 5,67		3840 5,63	3690 5,48	3520 5,32	3330 5,14	3105 4,95	2450 4,41

Save power and even more silent FISCHBACH SPEED CONTROLLERS Manual and Automatic		
Voltage Control	Type*	Order-No.*
Stepless 0 - 100% and 100% - 0	FDR 80	<b>6164</b>
Stepwise 7 Steps	FDR 750	<b>6202</b>
FISCHBACH AUTOMATIC CONTROL **	FRA 80	<b>6253</b>

\* For further details see resp. catalogue pages  
 \*\* For details of sensors etc., on request

- ① Free air relating to fan discharge area 0,0619 m². Max. permissible ambient temperature 30°C.
- ② Velocity (dynamic) pressure For Static Pressure Regain see example
- ③ Max. permissible ambient temperature 45°C.
- ④ Max. permissible ambient temperature 60°C.



\* External dimension of discharge



The Silent One