

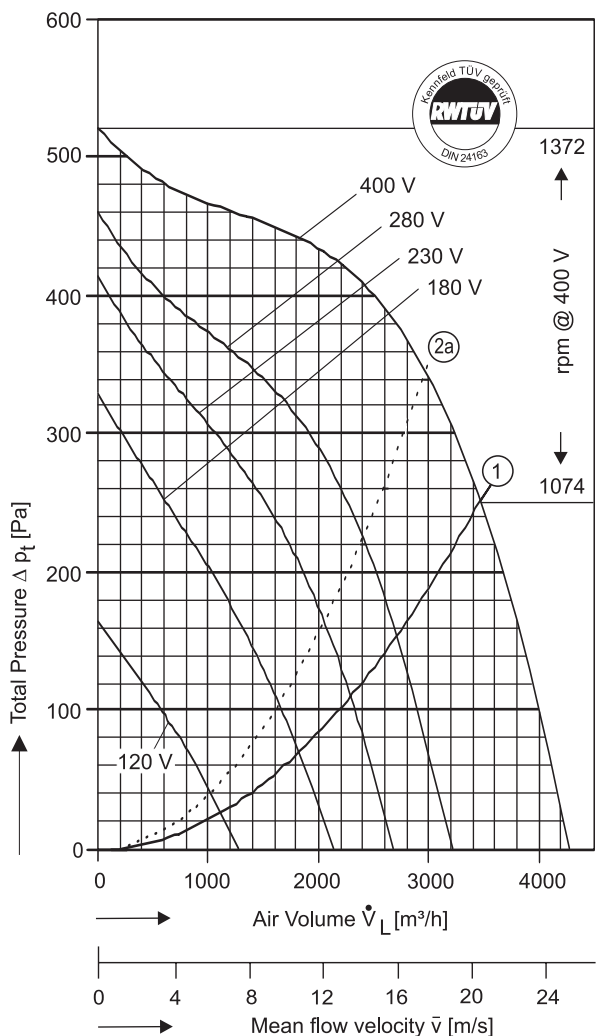
# Type: D = Double Inlet

# Performance / Dimensions



Type: D 730/D 500 [400V 3N~ 50 Hz]  
Protection type: IP 65

For sound data please see extra pages.

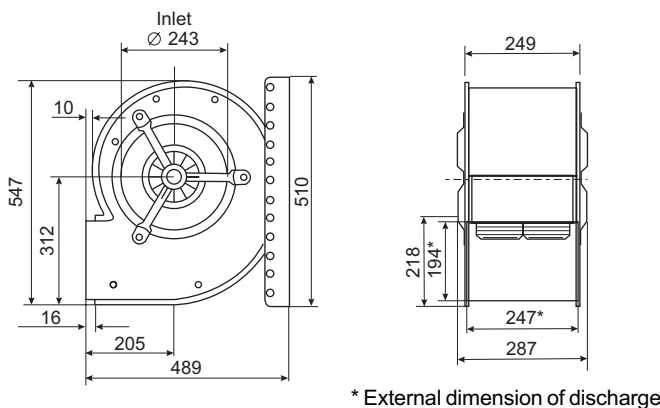


Voltage [V]	Air Volume $\dot{V}_L$ [m³/h] at $\rho = 1,2 \text{ kg/m}^3$ and current [A] (bold figures, 2nd. line)							
	Free Air	Total Pressure $\Delta p_t$ [Pa]						
		100	150	200	250	300	350	400
120	1200 <b>1,16</b>	510 <b>0,98</b>	140 <b>0,92</b>					
180	1901 <b>1,59</b>	1650 <b>1,47</b>	1380 <b>1,37</b>	1010 <b>1,22</b>	250 <b>1,08</b>			
230	2291 <b>1,78</b>		2103 <b>1,68</b>	1866 <b>1,58</b>	1543 <b>1,44</b>	1052 <b>1,24</b>	285 <b>1,04</b>	
280	2707 <b>1,95</b>			2530 <b>1,81</b>	2240 <b>1,73</b>	1930 <b>1,59</b>	1285 <b>1,36</b>	650 <b>1,14</b>
400	3520 <b>2,42</b>				3520 <b>2,42</b>	3233 <b>2,24</b>	2896 <b>2,12</b>	2495 <b>1,98</b>

Save power and even more silent with  
FISCHBACH SPEED CONTROLLERS  
FISCHBACH AUTOMATIC CONTROLLERS

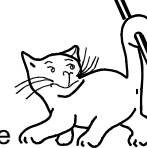
Voltage Control	Type*	Order-No.*
Stepless, 0 - 100% and 100% - 0	FDR 55/3	<b>6231</b>
Stepwise, 5 Steps	FDR 2.75/3	<b>6181</b>
FISCHBACH AUTOMATIC CONTROL **	FRA 55/3	<b>6281</b>
Frequency Inverter FFU	on request	

\* For further details see resp. catalogue pages  
\*\* For details of sensors etc., on request



① System curve for dynamical pressure part related to fan discharge surface of 0,0469 m². For operating points above that curve a max. air temperature of 35°C is allowed (Curve for free blowing fan).

②a Max. permissible air temperature: 60°C.



The Silent One

In the above diagram the **TOTAL** pressure (the sum of the dynamic and static pressures) is shown in relation to the air volume, dynamic pressure is shown below system line No.1. Static pressure is shown above that line.