

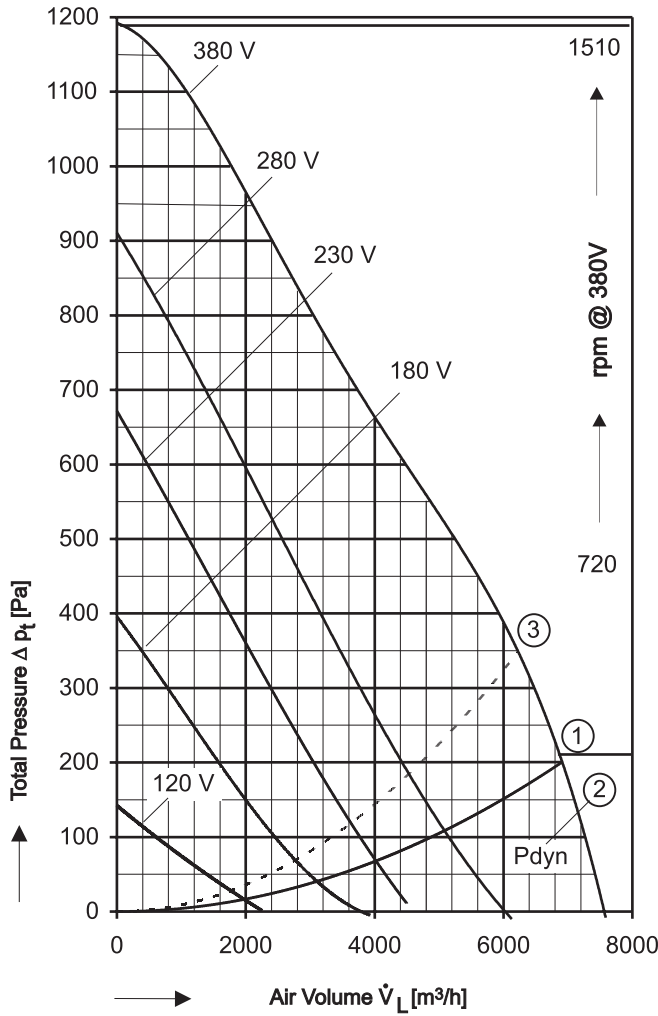
**Type: D = Double Inlet**

**Performance / Dimensions**



**Type: D 970/D 2 [380V 3N~ 60 Hz]**  
Protection type: IP 65

For sound data please see extra pages.



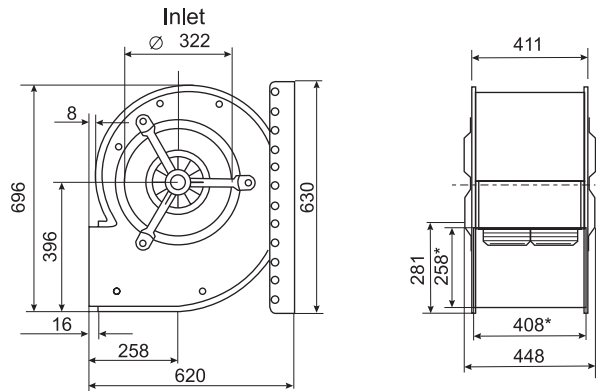
Voltage [V]	Air Volume $\dot{V}_L$ [m <sup>3</sup> /h] at $\rho = 1,2 \text{ kg/m}^3$ and current [A] (bold figures)							
	Free Air	Total Pressure $\Delta p_t$ [Pa]						
		100	200	300	400	500	600	700
120	1950 <b>2,74</b>	610 <b>2,60</b>						
180	3100 <b>4,07</b>	2450 <b>3,91</b>	1580 <b>3,72</b>	790 <b>3,55</b>				
230	4000 <b>5,04</b>	3770 <b>4,96</b>	3055 <b>4,70</b>	2390 <b>4,46</b>	1750 <b>4,24</b>	1115 <b>4,03</b>		
280	5080 <b>6,02</b>		4430 <b>5,67</b>	3780 <b>5,34</b>	3160 <b>5,03</b>	2565 <b>4,75</b>	1975 <b>4,49</b>	1395 <b>4,24</b>
380	6905 <b>7,50</b>			6480 <b>7,19</b>	5930 <b>6,82</b>	5250 <b>6,37</b>	4485 <b>5,87</b>	3710 <b>5,37</b>

**Save power and even more silent FISCHBACH SPEED CONTROLLERS Manual and Automatic**

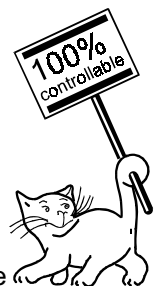
Voltage Control	Type*	Order-No.*
Stepless 0 - 100% and 100% - 0	FDR 80/3	<b>6232</b>
Stepwise 5 Steps	FDR 8.0/3	<b>6173</b>
FISCHBACH AUTOMATIC CONTROL **	FRA 80/3	<b>6282</b>

\* For further details see resp. catalogue pages  
\*\* For details of sensors etc., on request

- ① Free air relating to fan discharge area 0,0132 m<sup>2</sup>. Max. permissible ambient temperature 50°C. Do not operate below this temperature limit curve.
- ② Velocity (dynamic) pressure For Static Pressure Regain see example
- ③ Max. permissible ambient temperature 60°C.



\* External dimension of discharge



The Silent One