

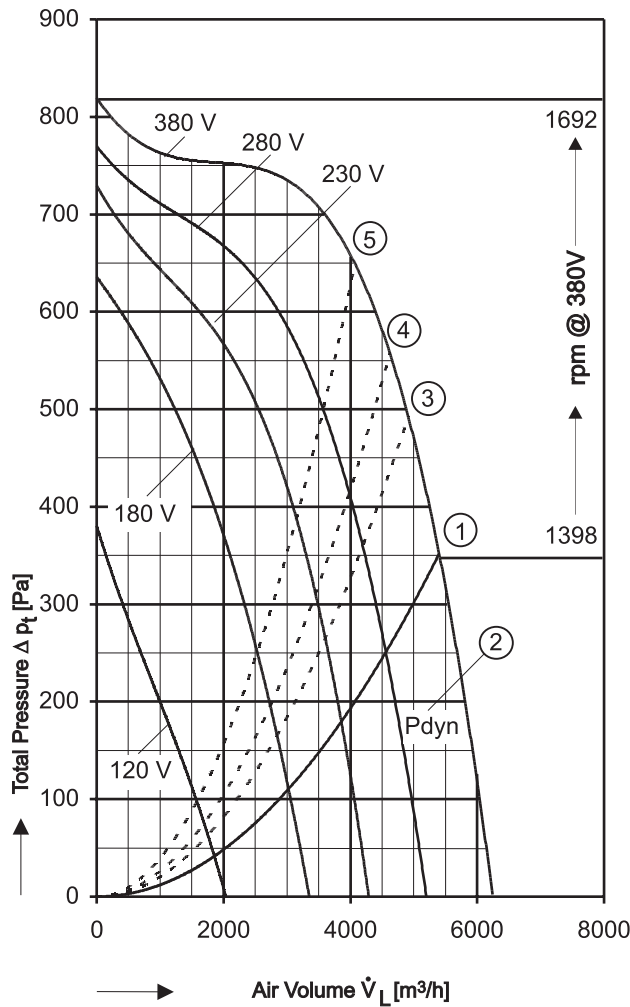
Type: DS = Double Inlet

Performance / Dimensions



Type: DS 6-770/D 1 [380V 3N~ 60 Hz]
Protection type: IP 65

For sound data please see extra pages.

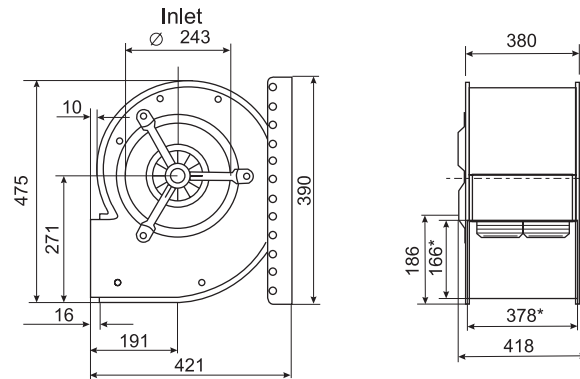


| Voltage [V] | Air Volume \dot{V}_L [m³/h] at $\rho = 1,2 \text{ kg/m}^3$ and current [A] (bold figures) | | | | | | | |
|-------------|---------------------------------------------------------------------------------------------|----------------------------------|---------------------|---------------------|---------------------|---------------------|---------------------|---------------------|
| | Free Air | Total Pressure Δp_t [Pa] | | | | | | |
| | | 200 | 300 | 400 | 500 | 600 | 650 | 700 |
| 120 | 1865 3,18 | 1000 2,79 | | | | | | |
| 180 | 3025 4,32 | 2720 4,01 | 2330 3,65 | 1850 3,24 | 1235 2,78 | | | |
| 230 | 3855 4,82 | 3800 4,76 | 3485 4,41 | 3095 4,02 | 2550 3,51 | 1620 2,81 | | |
| 280 | | | 4400 4,89 | 4035 4,53 | 3565 4,09 | 2860 3,52 | 2275 3,12 | 1245 2,57 |
| 380 | | | | 5250 5,11 | 4880 4,80 | 4395 4,43 | 4065 4,19 | 3595 3,90 |

| Save power and even more silent FISCHBACH SPEED CONTROLLERS Manual and Automatic | | |
|----------------------------------------------------------------------------------------|-----------|-------------|
| Voltage Control | Type* | Order-No.* |
| Stepless 0 - 100% and 100% - 0 | FDR 80/3 | 6232 |
| Stepwise 5 Steps | FDR 5.5/3 | 6172 |
| FISCHBACH AUTOMATIC CONTROL ** | FRA 80/3 | 6282 |

* For further details see resp. catalogue pages
** For details of sensors etc., on request

- ① Free air relating to fan discharge area 0,0619 m². Max. permissible ambient temperature 60°C.
- ② Velocity (dynamic) pressure
For Static Pressure Regain see example
- ③ Max. permissible ambient temperature 30°C above this curve. Do not operate fan below this curve.
- ④ Max. permissible ambient temperature 45°C.
- ⑤ Max. permissible ambient temperature 60°C.



* External dimension of discharge



The Silent One