

Type: HD = double inlet

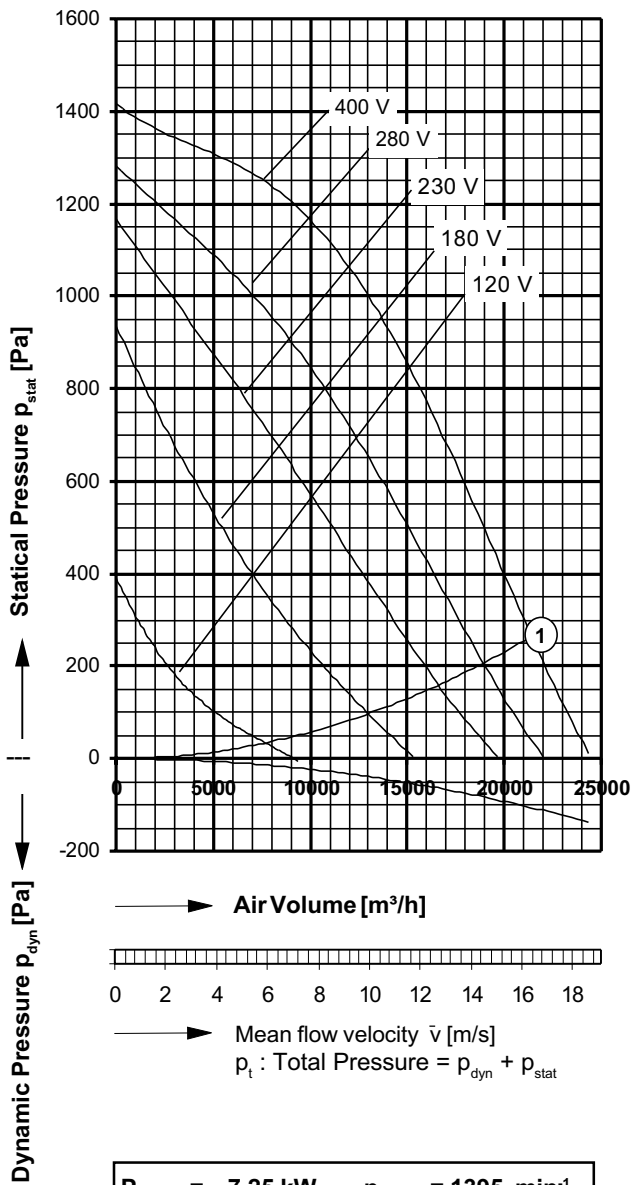
Performance / Dimensions

FISCHBACH  
HIGH EFFICIENCY  
FAN

Type: HD 630/D 5 [400V 3 N~ 50 Hz]

Protection type: IP 65

For sound data please see extra pages.



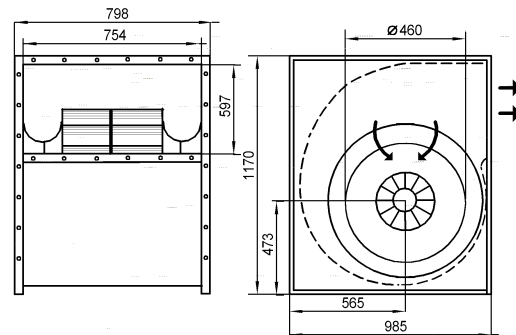
$P_{max}$	= 7,25 kW	$n_{max}$	= 1395 min <sup>-1</sup>
$I_{max}$	= 14,50 A	$I_A/I_N$	= 3,2

① free air related to fan discharge surface of 0,373 m<sup>2</sup>

Max. permissible Air Inlet Temperature: 50 °C

Voltage [V]	Air Volume $\dot{V}_L$ [m <sup>3</sup> /h] at $\rho = 1,2 \text{ kg/m}^3$ and current [A] (bold figures, 2nd. line)							
	Free air	Statical Pressure [Pa]						
		300	500	700	900	1000	1100	1300
120	9360 <b>10,50</b>	1100 <b>10,00</b>						
180	15320 <b>13,70</b>	8700 <b>14,00</b>	5200 <b>13,00</b>	2420 <b>11,50</b>				
230	19680 <b>14,10</b>	14020 <b>15,00</b>	10940 <b>14,80</b>	7900 <b>13,80</b>	4210 <b>11,90</b>	2490 <b>10,50</b>		
280	22010 <b>13,60</b>	17690 <b>14,60</b>	14830 <b>14,90</b>	12220 <b>14,60</b>	8820 <b>13,50</b>	6570 <b>12,40</b>	4140 <b>11,00</b>	
400	24500 <b>13,00</b>	21110 <b>13,80</b>	18720 <b>14,20</b>	16640 <b>14,50</b>	14340 <b>14,20</b>	13050 <b>14,00</b>	10970 <b>13,50</b>	4050 <b>11,00</b>

Save power and even more silent FISCHBACH SPEED CONTROLLERS FISCHBACH AUTOMATIC CONTROLLERS		
Voltage Control	Type	Order No.
Stepless, 0 - 100% and 100% - 0	FDR200/3	<b>6235</b>
Stepwise, 5 steps	FDR20/3	<b>6177</b>
FISCHBACH AUTOMATIC CONTROL	FRA200/3	<b>6285</b>
Frequency Inverter	on request	
Controller FDR and FRA with casing is standard with integrated motor protection and outlet fuses		



The Silent One

