

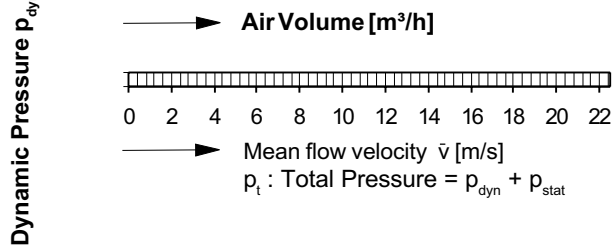
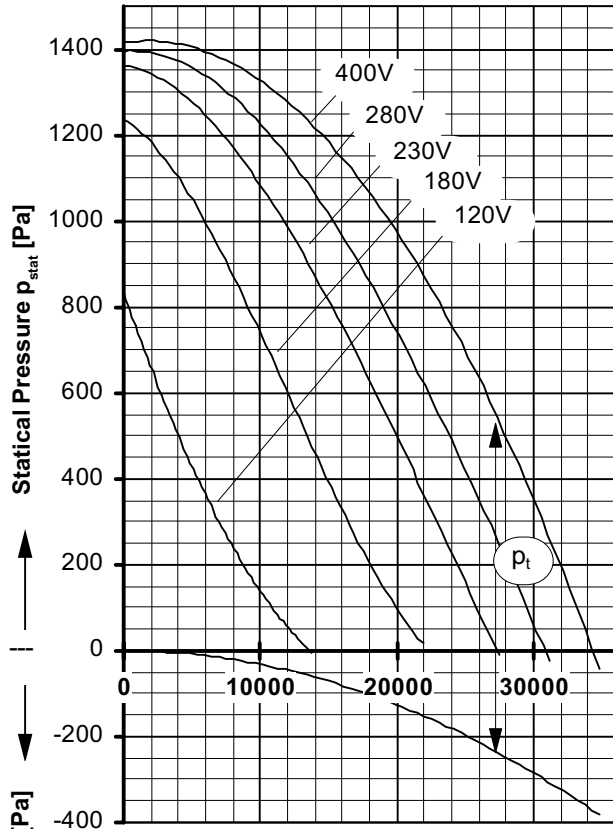
Type: HD = double inlet

Performance / Dimensions

FISCHBACH  
HIGH EFFICIENCY  
FAN

Type: HD 630/TD 10 [400V 3 N~ 50 Hz]  
Protection type: IP 65

For sound data please see extra pages.

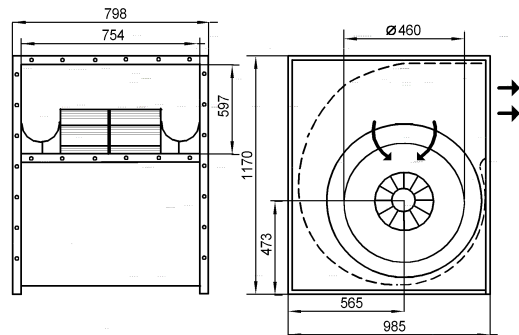


$P_{max} = 14,00 \text{ kW}$        $rpm = 1450 \text{ min}^{-1}$   
 $I_{max} = 30,50 \text{ A}$        $I_A/I_N = 3,1$

Max. permissible Air Inlet Temperature: 65°C

Voltage [V]	Air Volume $\dot{V}_L$ [m³/h] at $\rho = 1,2 \text{ kg/m}^3$ and current [A] (bold figures, 2nd. line)							
	Free air	Statical Pressure [Pa]						
		300	500	700	900	1000	1100	1300
<b>120</b>	13600 22,64	6970 21,13	4000 19,29	1480 17,18				
<b>180</b>	22250 29,89	16420 27,64	13450 25,85	10550 23,69	7570 21,03	5900 19,35	4000 17,26	
<b>230</b>	27300 30,44	22900 29,43	20000 28,32	16870 26,73	13530 24,59	11700 23,23	9670 21,55	4050 16,00
<b>280</b>	30850 29,80	26720 28,57	23810 27,48	20710 26,12	17250 24,36	15300 23,25	13200 21,96	7600 18,07
<b>400</b>	34350 29,33	30700 28,62	28000 28,02	24950 27,27	21420 26,29	19400 25,68	17150 24,96	11100 22,80

Save power and even more silent FISCHBACH SPEED CONTROLLERS FISCHBACH AUTOMATIC CONTROLLERS		
Voltage Control	Type*	Order-No.*
Stepless, 0 - 100% and 100% - 0	FDR 400/3	6237
Stepwise, 5 Steps	FDR 40/3	6179
FISCHBACH AUTOMATIC CONTROL	FRA 400/3	6287
Frequency Inverter	on request	
* Controller FDR and FRA with casing is standard with integrated motor protection and outlet fuses		



100%  
controllable



The Silent One