

Type: HE = single inlet

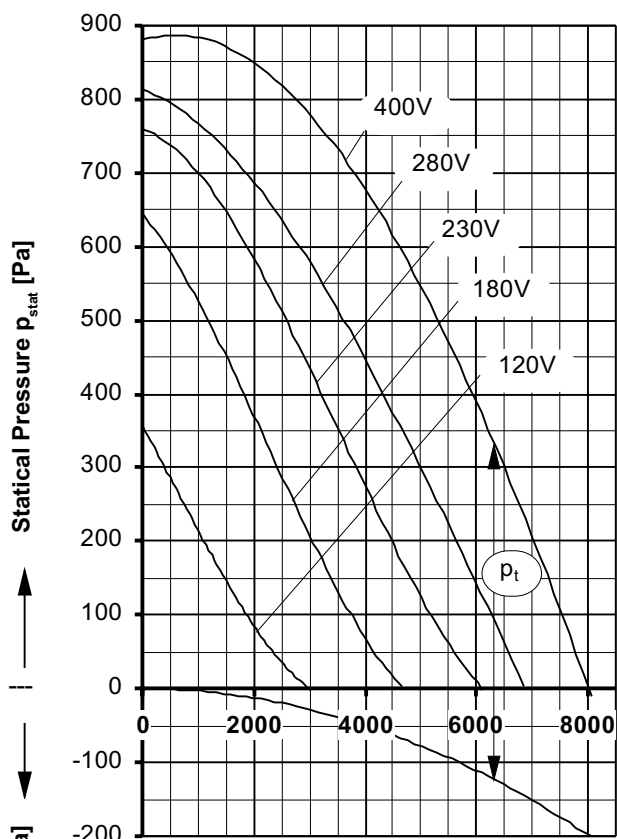
Performance / Dimensions

FISCHBACH
HIGH EFFICIENCY
FAN

Type: HE 500/D2 [400V 3 N~ 50 Hz]

Protection type: IP 65

For sound data please see extra pages.



—▶ Air Volume [m³/h]
 —▶ Mean flow velocity \bar{v} [m/s]
 p_t : Total Pressure = $p_{dyn} + p_{stat}$

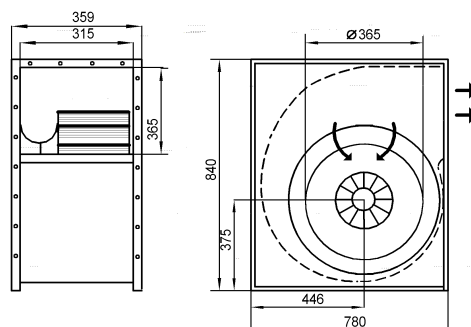
P_{max}	= 2,2 kW	rpm_{max}	= 1425 min ⁻¹
I_{max}	= 4,8 A	I_A/I_N	= 1,7

Max. permissible Air Inlet Temperature: 70°C

Voltage [V]	Air Volume \dot{V}_L [m³/h] at $\rho = 1,2 \text{ kg/m}^3$ and current [A] (bold figures, 2nd. line)							
	Free air	Statical Pressure [Pa]						
		200	300	400	500	600	700	800
120	3000 3,00	1100 2,45						
180	4670 4,28	3050 3,59	2410 3,25	1800 2,90	1180 2,50			
230	6100 4,70	4470 4,21	3830 3,95	3210 3,67	2080 3,06	1890 2,95	1000 2,38	
280	6890 4,99	5620 4,69	5000 4,51	4320 4,28	3610 4,01	2800 3,67	1860 3,22	380 2,40
400	8030 4,83	7030 4,70	6500 4,62	5920 4,52	5310 4,40	4610 4,25	3800 4,05	2750 3,77

Save power and even more silent FISCHBACH SPEED CONTROLLERS FISCHBACH AUTOMATIC CONTROLLERS		
Voltage Control	Type	Order-No.
Stepless, 0 - 100% and 100% - 0	FDR 55/3	6231
Stepwise, 5 Steps	FDR 5.5/3	6172
FISCHBACH AUTOMATIC CONTROL	FRA 55/3	6281
Frequency Inverter	on request	

Controller FDR and FRA with casing is standard with integrated motor protection and outlet fuses



100%
controllable



The Silent One