

Type: HE = single inlet

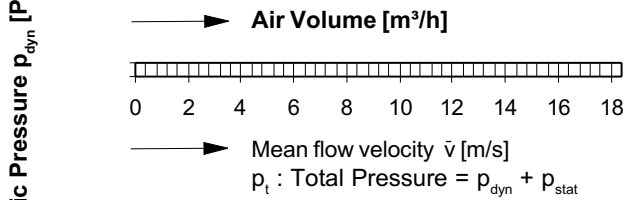
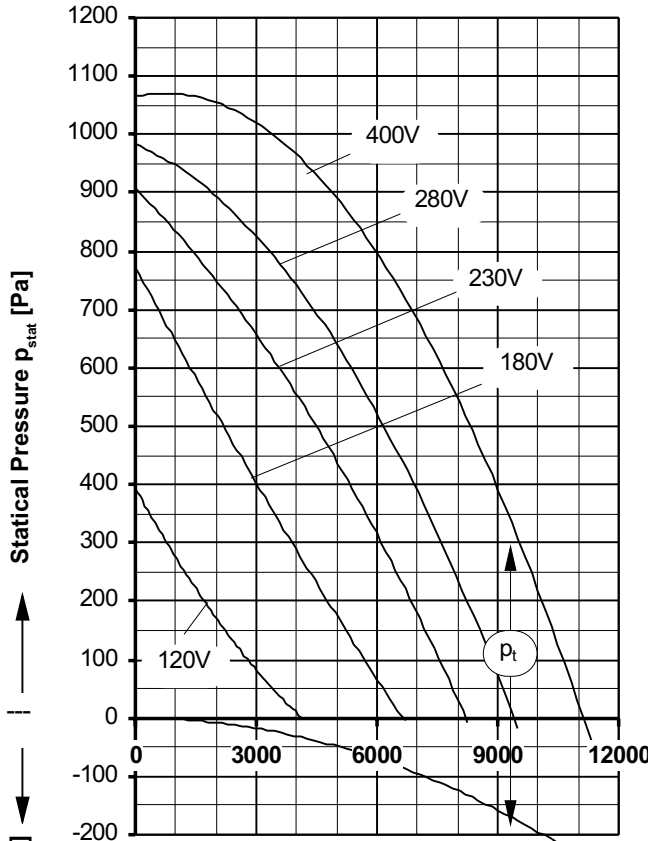
Performance / Dimensions



Type: HE 560/D2.5 [400V 3 N~ 50 Hz]

Protection type: IP 65

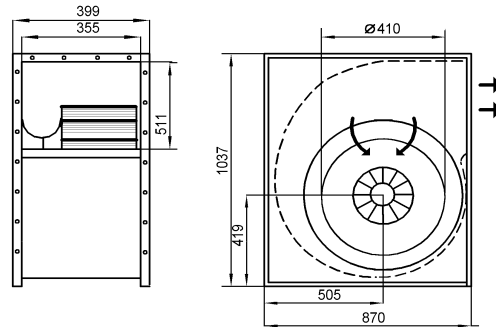
For sound data please see extra pages.



P_{max}	= 3,70 kW	rpm_{max}	= 1440 min ⁻¹
I_{max}	= 8,17 A	I_A/I_N	= 2,1

Voltage [V]	Air Volume \dot{V}_L [m³/h] at $\rho = 1,2 \text{ kg/m}^3$ and current [A] (bold figures, 2nd. line)							
	Free air	Statical Pressure [Pa]						
		200	400	500	600	700	800	900
120	4144 4,80	1670 4,44						
180	6690 6,31	3900 5,76	2200 5,06	850 4,31				
230	8256 6,95	6520 6,69	5330 6,38	4470 6,08	3540 5,68	2530 5,17	1400 4,50	
280	9495 7,26	8220 7,08	6930 6,80	6180 6,59	5350 6,32	4400 5,97	3330 5,51	1920 4,80
400	11310 8,14	10425 8,03	9030 7,82	8555 7,74	7835 7,61	7020 7,44	6130 7,25	5100 7,00

Save power and even more silent FISCHBACH SPEED CONTROLLERS FISCHBACH AUTOMATIC CONTROLLERS		
Voltage Control	Type	Order No.
Stepless, 0 - 100% and 100% - 0	FDR 120/3	6233
Stepwise, 5 steps	FDR 11.3/3	6175
FISCHBACH AUTOMATIC CONTROL	FRA 120/3	6283
Frequency Inverter	on request	
Controller FDR and FRA with casing is standard with integrated motor protection and outlet fuses		



Max. permissible Air Inlet Temperature: 70°C



The Silent One