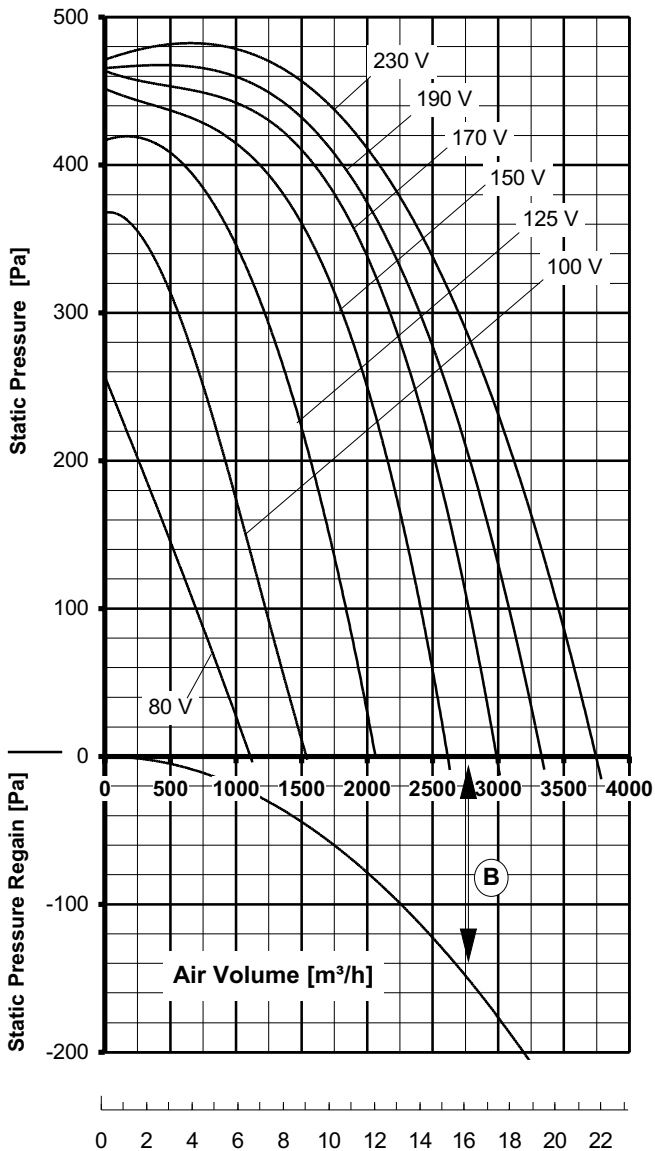
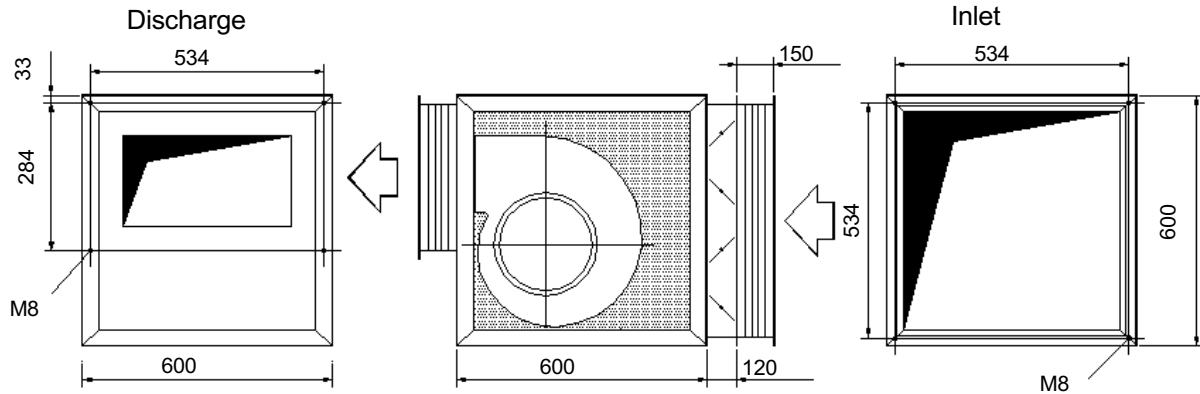


**Standard Series Ventilator Unit VN 104 Power Supply: 230V/1N 50 Hz with Size: 1**

**FISCHBACH  
COMPACT  
FAN  
DS6-740/E65**

**Pressure / Air Volume Performance, Selection of Speed Controllers**



The data for external static pressure take into account all pressure losses due to integration of the fan within unit. Performance based upon free inlet and discharge.

**Max. power consumption 1,30 kW**  
**Max. current consumption 5,60 A**  
 **$I_A / I_N: 1,70$**

Static Pressure Regain (B) can be read from the performance curve. It is available when the unit is fitted with a straight discharge duct, sized according to the standard connection size B. Minimum duct length necessary: 1,20 m.

Voltage [V]	At free air [m³/h]	External static pressure $\Delta p_{st}$ [Pa] available for AHU and system pressure losses						
		100	200	250	300	350	400	450
		1st. line: Air Volume $V_L$ [m³/h] at $\rho = 1,2$ kg 2nd. line: Current consumption [A]						
80	1059 2,59	693 2,59	270 2,59	26 2,59				
100	1492 3,23	1224 3,09	926 2,94	755 2,85	551 2,74	258 2,58		
125	2054 4,00	1840 3,81	1581 3,60	1424 3,49	1238 3,36	997 3,20	618 2,99	31 2,75
150	2590 4,58	2393 4,40	2149 4,18	1997 4,06	1810 3,92	1561 3,74	1142 3,49	580 3,22
170	2992 4,95	2774 4,76	2508 4,54	2347 4,41	2155 4,27	1913 4,10	1562 3,88	1154 3,66
190	3319 5,23	3072 5,03	2773 4,80	2594 4,67	2384 4,53	2125 4,36	1771 4,15	1380 3,94
230	3752 5,60	3476 5,40	3150 5,18	2960 5,06	2743 4,93	2487 4,77	2165 4,59	1831 4,42

**Save power and even more silent with FISCHBACH SPEED CONTROLLERS**

Voltage Control	Type	Order-No.
Stepless, 0 - 100 % and 100 % - 0 *	FDR 80	6164
Stepwise, 7 Steps *	FDR 750	6202
FISCHBACH AUTOMATIC CONTROL *	FRA 80	6253

\* with integrated motor protection and outlet fuses

**Max. permissible Air Inlet Temperature: 60 °C**