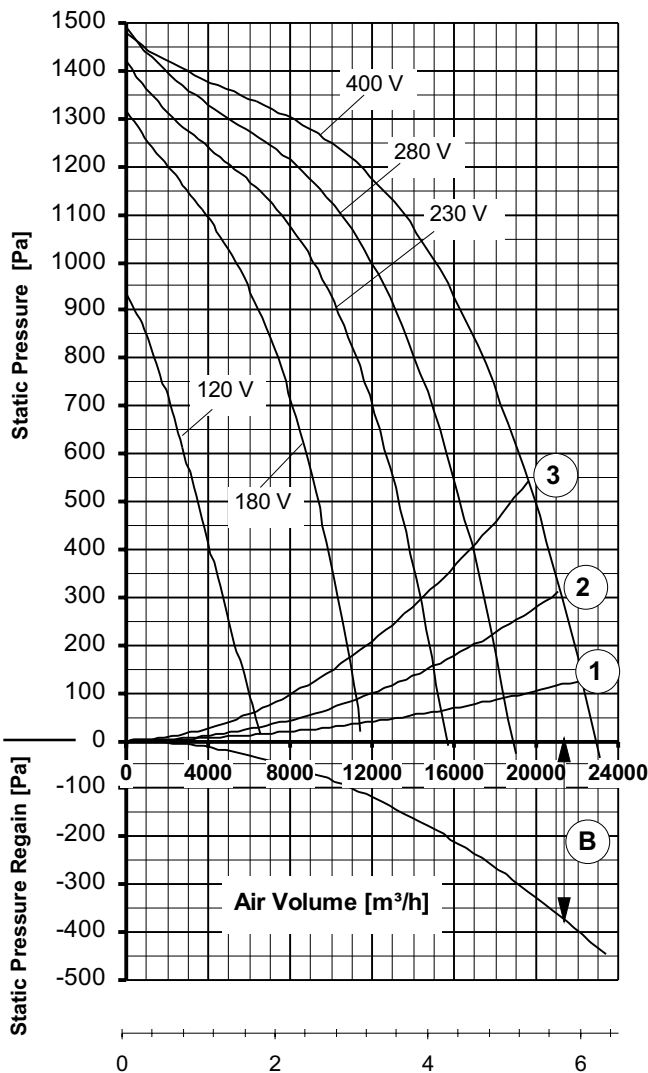
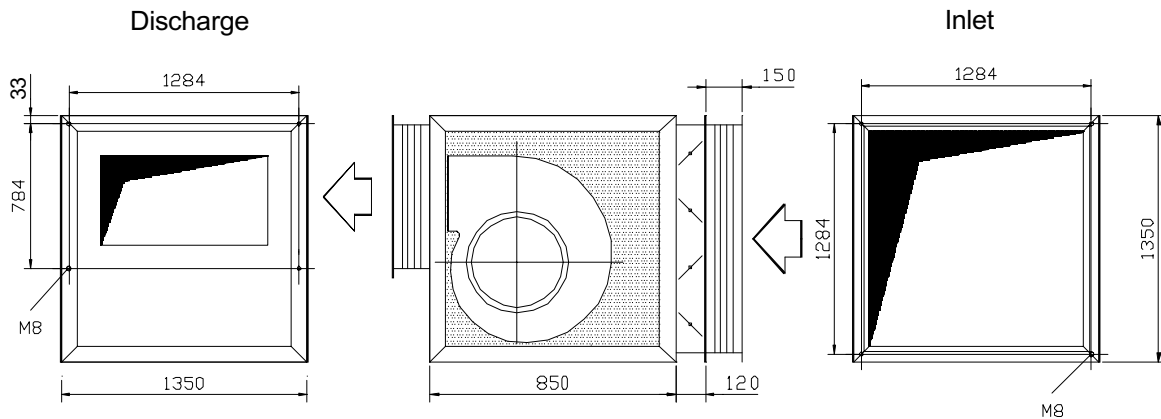


Standard Series Ventilator Unit VN 409 Power Supply: 400V/3N~ 50 Hz with Size: 4

Pressure/Air Volume Performance, Selection of Speed Controllers

**FISCHBACH
COMPACT
FAN
DS0-101/TD10**



➔ Average Discharge-Air-Velocity \bar{v} [m/s], related to standard connection size B

Max. permissible Air Inlet Temperature:
 Below system curve (1): do not operate in that area !
 Above system curve (1) to (2): 30°C
 Above system curve (2) to (3): 40°C
 Above system curve (3): 50°C

The data for external static pressure take into account all pressure losses due to integration of the fan within unit. Performance based upon free inlet and discharge.

Max. power consumption 20,0 kW

Max. current consumption 38,0 A

I_A/I_N : 2,8

Static Pressure Regain (B) can be read from the performance curve. It is available when the unit is fitted with a straight discharge duct, sized according to the standard connection size B. Minimum duct length necessary: 3,50 m.

Voltage [V]	At free air [m³/h]	External static pressure Δ pst [Pa] available for AHU and system pressure losses						
		200	400	600	800	1000	1100	1200
		1st. line: Air Volume V_L [m³/h] at $\rho = 1,2$ kg 2nd. line: Current consumption [A]						
120	6785 23,10	5335 21,45	4095 19,96	2840 18,46				
180	11520 32,33	10755 30,12	9865 27,70	8785 24,99	7385 21,85	5350 18,00		
230	15620 37,35	14800 34,83	13845 32,05	12700 28,95	11240 25,36	9140 20,92	7555 18,11	
280		17950 35,90	16895 33,25	15650 30,31	14100 26,95	11980 22,89	10480 20,40	8335 17,37
400		21855 35,13	20620 33,00	19175 30,68	17420 28,10	15095 25,12	13540 23,39	11435 21,38

Save power and even more silent with FISCHBACH SPEED CONTROLLERS

Voltage Control / Frequency Control	Type	Order-No.
Stepless, 0 - 100 % and 100 - 0 % *	FDR 400/3	6237
Stepwise, 5 Steps *	FDR 40/3	6179
FISCHBACH AUTOMATIC CONTROL *	FRA 400/3	6287
Frequency Inverter *	on request	

* with integrated motor protection and outlet fuses