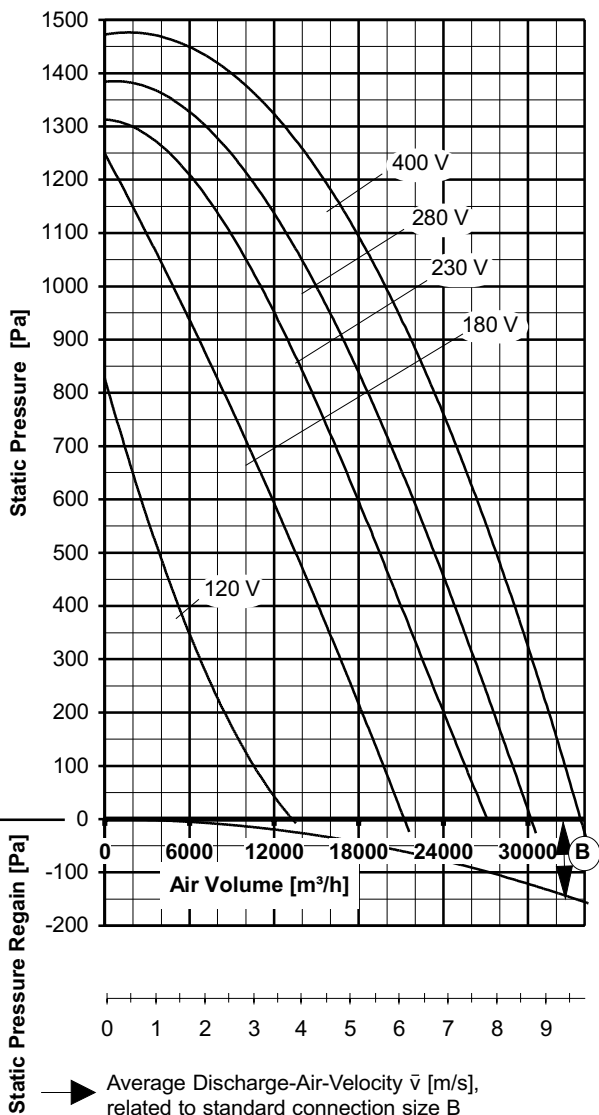
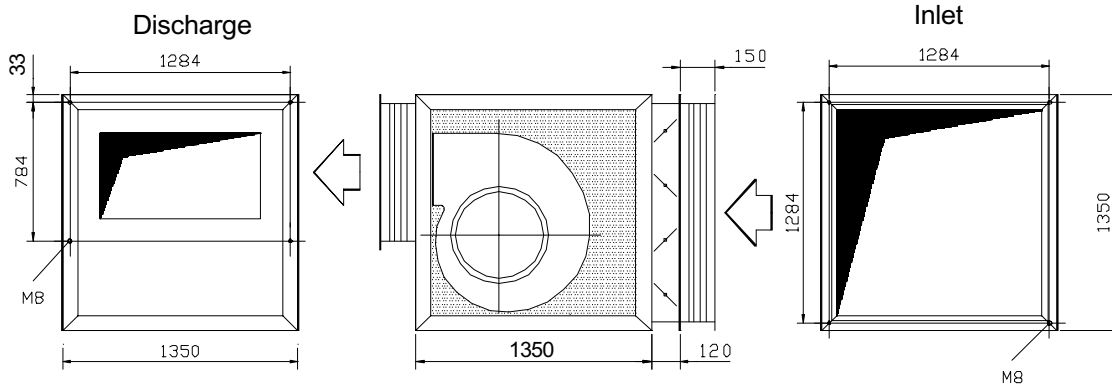


**Standard Series Ventilator Unit VN 413 Power Supply: 400V/3N~ 50 Hz with Size: 4**

**Pressure/Air Volume Performance, Selection of Speed Controllers**

**FISCHBACH  
COMPACT  
FAN  
HD630/TD10**



**Max. permissible Air Inlet Temperature: 60°C**

The data for external static pressure take into account all pressure losses due to integration of the fan within unit. Performance based upon free inlet and discharge.

**Max. power consumption 13,90 kW**

**Max. current consumption 30,20 A**

$I_A / I_N$ : 2,9

Static Pressure Regain (B) can be read from the performance curve. It is available when the unit is fitted with a straight discharge duct, sized according to the standard connection size B. Minimum duct length necessary: 2,50 m.

Voltage [V]	At free air [m³/h]		External static pressure $\Delta p_{st}$ [Pa] available for AHU and system pressure losses						
	and [A]		200	400	600	800	1000	1100	1200
			1st. line: Air Volume $V_L$ [m³/h] at $\rho = 1,2$ kg						
			2nd. line: Current consumption [A]						
120	13295 22,22	8490 21,75	5225 20,16						
180	21230 28,76	18245 27,97	15135 26,59	11880 24,56	8455 21,76	4835 18,07			
230	27110 30,22	24020 29,26	21000 28,02	17940 26,47	14700 24,49	11050 21,86	6290 17,78		
280	30225 29,23	27570 28,54	24805 27,65	21865 26,50	18655 25,02	14990 23,03	10385 20,08		
400	33730 29,09	31480 28,63	29045 28,10	26375 27,46	23375 26,67	19885 25,68	15545 24,30	8960 21,94	

**Save power and even more silent with FISCHBACH SPEED CONTROLLERS**

Voltage Control / Frequency Control	Typ	Best.-Nr.
Stepless, 0 - 100 % and 100 - 0 % *	FDR 400/3	6237
Stepwise, 5 Steps *	FDR 40/3	6179
FISCHBACH AUTOMATIC CONTROL *	FRA 400/3	6287
Frequency Inverter *	FFU 320	6315

\* with integrated motor protection and outlet fuses