

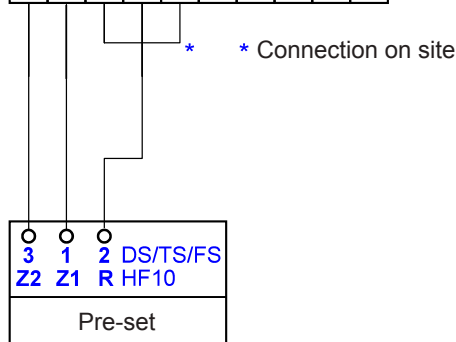
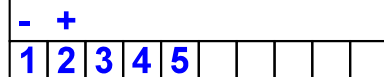
FISCHBACH - CONTROLLERS

supply 24V-, output signal 0-10V-, cable max. 200m, 1,5mm²

control type	mounting	ill. no.	control system	ref. no.	part no.	setting range	measuring range	lin.	weight [kg]
Actual value sensor (must be used in conjunction with Pre-set)									
pressure	room	1	pressure sensor	DV 1010	6903	0 ... 1000 Pa	-	1 %	0,6
Pre-set									
pressure	room	3	pressure pre-set	DS 1010	6904	0 ... 1000 Pa	-	5 %	0,1
Manual remote adjustment									
output voltage	room	3	manual remote adjustment	HF 10	6941	0 ... 100 %	-	5 %	0,1

Wiring diagrams for signal transmitters

REGELAUTOMATIC (FRA)



Nr. 10.1

Manual Remote Adjustment of FISCHBACH CONTROLLER

Continual adjustment of the output voltage 0-100% via a manual remote speed adjuster. Complete control of air volume, air pressure to correct temp., relative humidity or air quality. (**wiring diagram Nr. 10.1**)

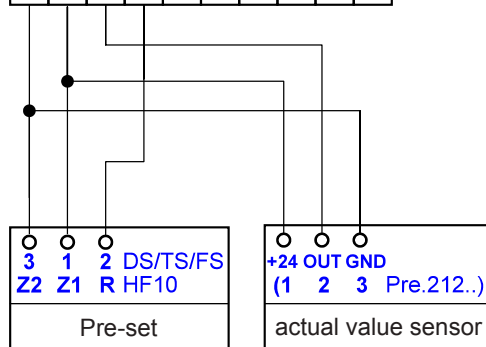
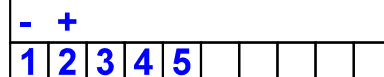
Application:

In catering establishments, meeting rooms, etc. Ventilation can be set individually from the room.

Using two actual value sensors one as the setting means (Pre Set), the other as the actual value.

Differential Pressure Control (Wiring diagram 10.4)

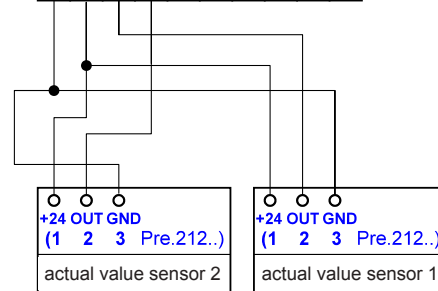
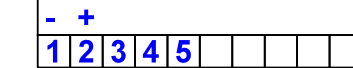
REGELAUTOMATIC (FRA)



Nr. 10.3

Nr. 10.4

REGELAUTOMATIC (FRA)



wiring as shown in diagram = Increase in volume
Connections 3 and 4 swapped = Reduction in volume

DS = pressure pre-set
TS = temperature pre-set
FS = humidity pre-set

Temperature, humidity and CO2 control on request