

wiring diagrams for FISCHBACH AUTOMATIC CONTROLLERS

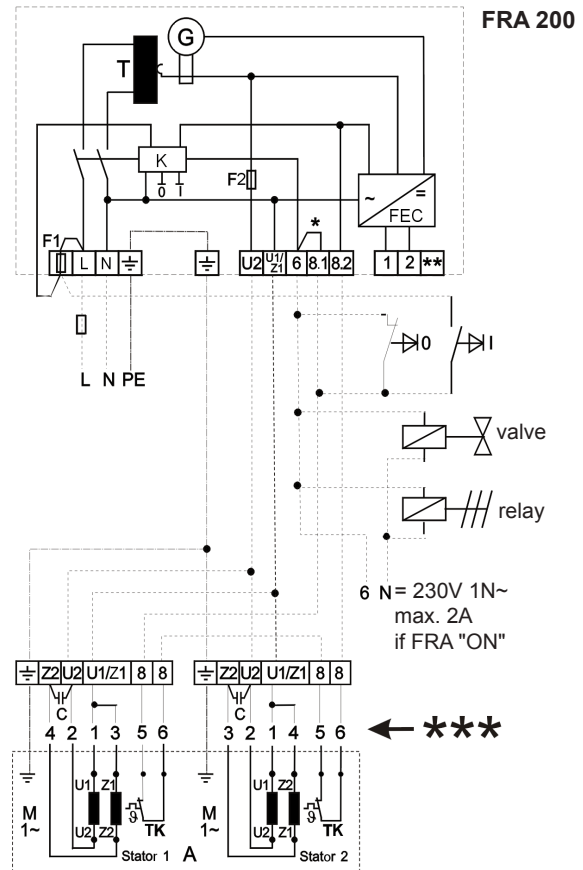
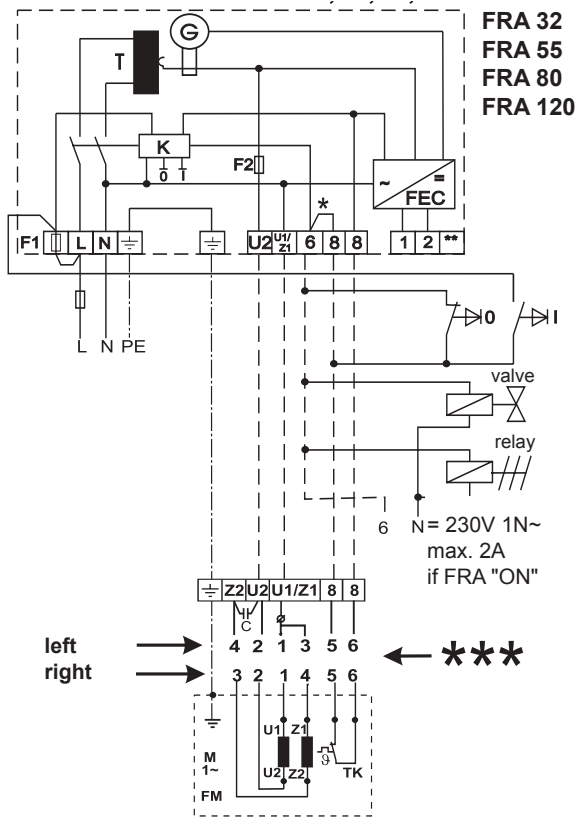
1x230V 50/60Hz

2.40n

standard motor
E1, E15, E25, E35, E65, E80

2.41

double drive
2 x E65, 2 x E80



A tandem-motor
TK thermal contact
C capacitor
F fuse
K contactor with cut-out interlock
M disc rotor motor
ST limit contact
0 off-key

I on-key
-- external wiring
T transformer
FEC electronic control
* if connecting remote"on/off-key, remove the bridge
** please see wiring diagrams for control circuits
*** wire designation