

**Series: FREEWHEELING IMPELLER with
INSTALLATION FRAME FLRE**
with backward curved blades EC-MOTOR

FISCHBACH

Luft- und Ventilatorentechnik GmbH

Type: FLRE500/DM1

ERP KONFORM



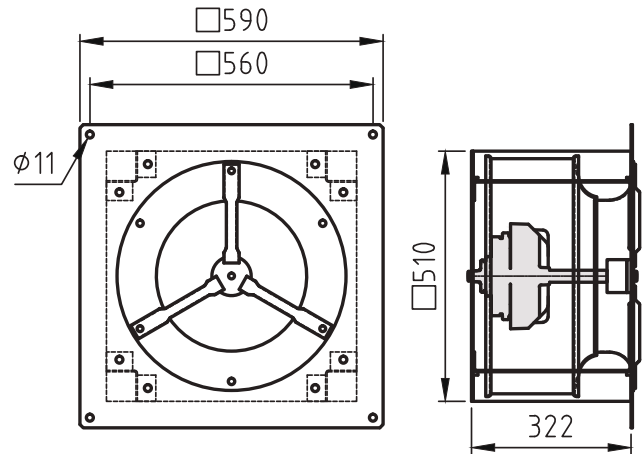
CE -conform

manufacturer:

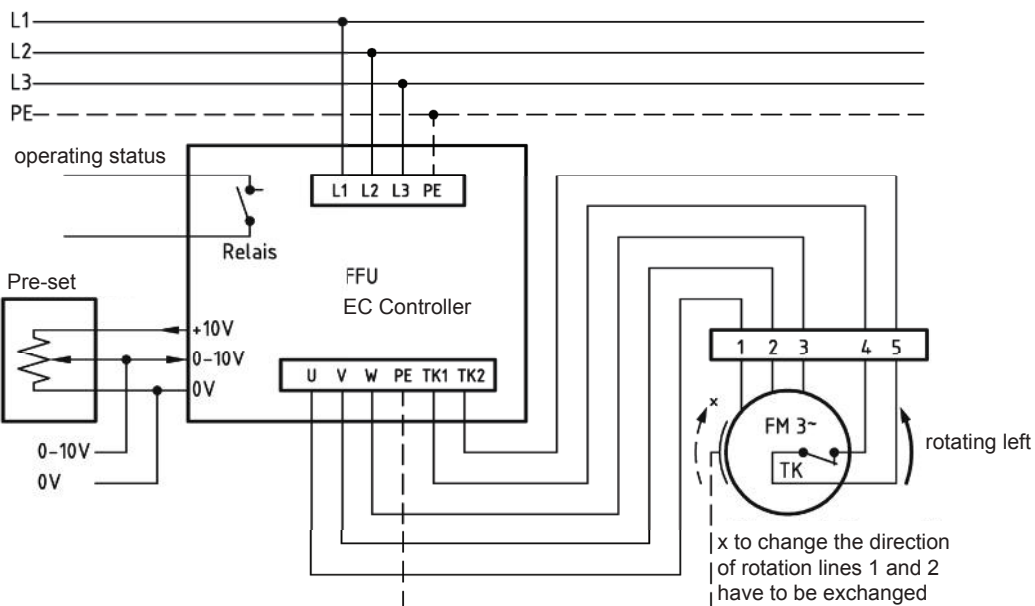
Fischbach Luft- und Ventilatorentechnik GmbH
Am Hellerberg 22-24
D-57290 Neunkirchen
phone: ++49(0)2735/777-0
telefax: ++49(0)2735/770-625
internet: www.fischbach-luft.de
email: info@fischbach-luft.de

Technical Data

weight:	(kg)	35
material housing:	steel, galvanized	
material impeller:	steel, galvanized	
direction of rotation:	left/right	
motor-protection class:	IP 65	
insulation class:	F	
motor protection:	thermal contact	

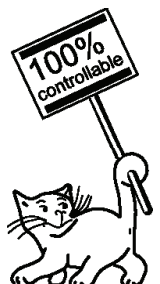


**connection plan*
FFU-EC 400**



* Connection only according to the enclosed technical documentation.

the silent one



Type: FLRE500/DM1

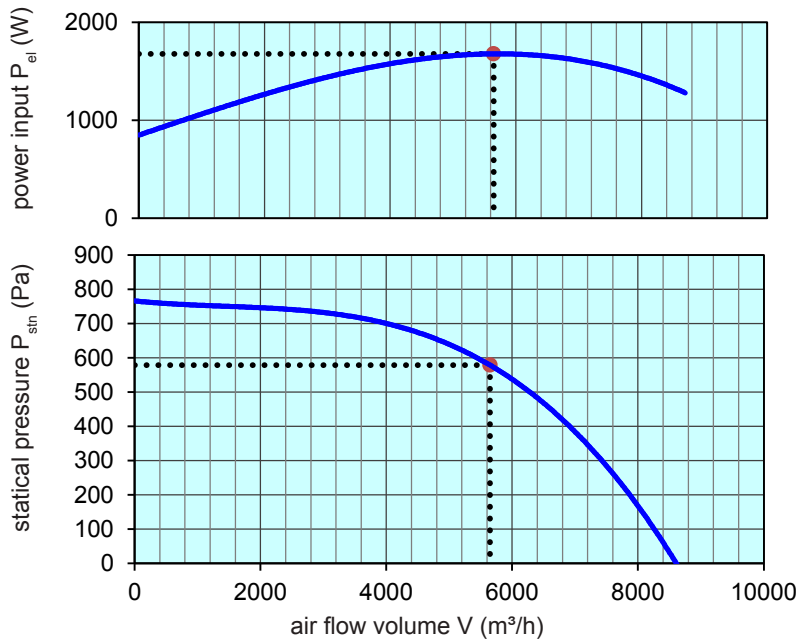
Erp 2013 2015 2018 x

Performance data

main voltage:	(V)	400 (3~)
frequency:	(Hz)	50
current max.:	(A)	3,7
power input max.:	(kW)	1,7
air flow volume max.:	(m³/h)	8700
statical pressure max.:	(Pa)	777
speed max.:	(rpm)	1500
supply air temperature:	(°C)	-25... +50
capacitor:	(µF)	-

ErP-Data:

total efficiency fan (η_e):	(%)	58,4
installation category:		A
efficiency category:		static
efficiency grade: N	(%)	62
target efficiency (η_{target}):	(%)	53,8
speed controller		yes
year of manufacturing		since 2015
manufacturer: Fischbach Luft- und Ventilatorentechnik GmbH D-57290 Neunkirchen / HRB 5804 Siegen		
order no. (left)		18127040
power input:	(kW)	1,67
air flow volume:	(m³/h)	5648
statical pressure:	(Pa)	580
speed:	(rpm)	1500
specific ratio:		1
disassembling/recycling/disposal: see page decommission		
installation/operation/maintenance: see operating and mounting instructions		
measurement for determination of efficiency without additional items		



control with	type	order-Nr.
FISCHBACH-frequency-converter	FFU3-21-4	63760
FISCHBACH-Pre-set 0-10V (optional accessories)	FS 10	69460