

**Series: FREEWHEELING IMPELLER with
INSTALLATION FRAME FLRE**
with backward curved blades EC-MOTOR

FISCHBACH

Luft- und Ventilatorentechnik GmbH

Type: FLRE630/DM2

ERP KONFORM



manufacturer:

Fischbach Luft- und Ventilatorentechnik GmbH

Am Hellerberg 22-24

D-57290 Neunkirchen

phone:

++49(0)2735/777-0

telefax:

++49(0)2735/770-133

internet:

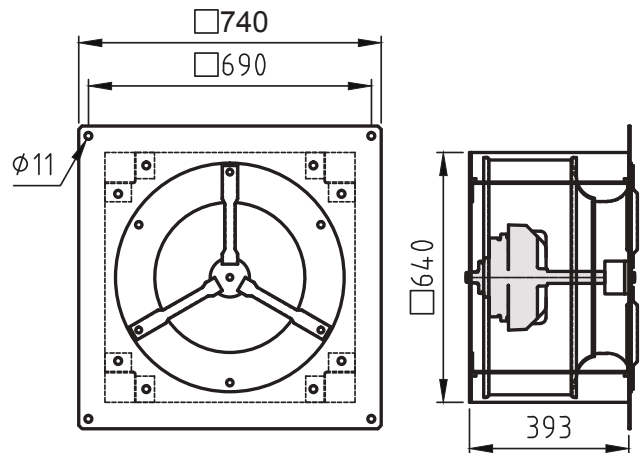
www.fischbach-luft.de

email:

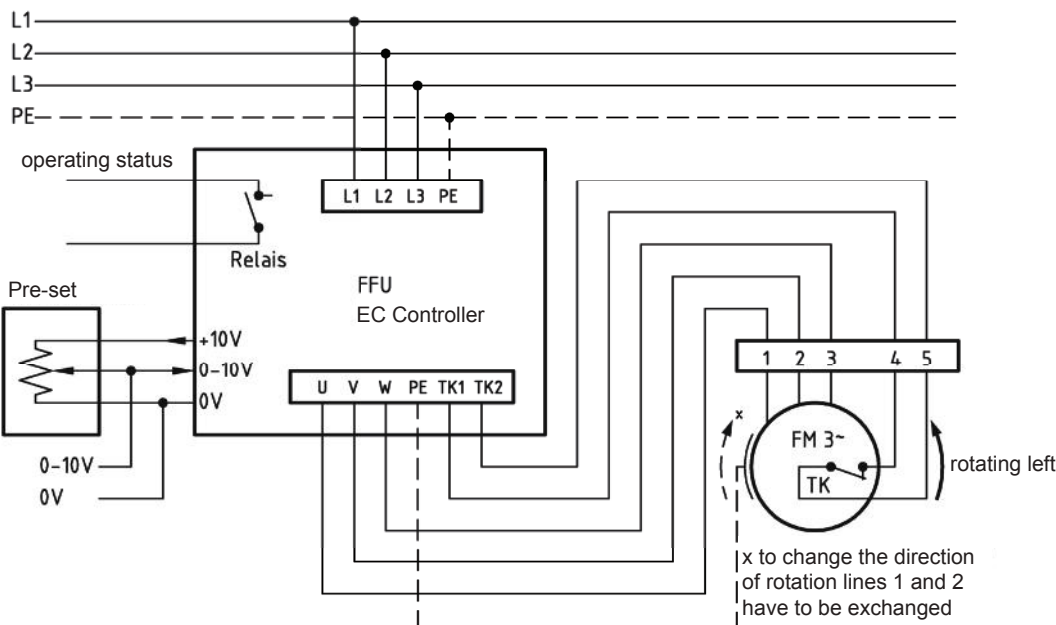
info@fischbach-luft.de

Technical Data

weight:	(kg)	65
material housing:	steel, galvanized	
material impeller:	steel, galvanized	
direction of rotation:	left/right	
motor-protection class:	IP 65	
insulation class:	F	
motor protection:	thermal contact	



**connection plan*
FFU-EC 400**



* Connection only according to the enclosed technical documentation.

the silent one



Type: FLRE630/DM2

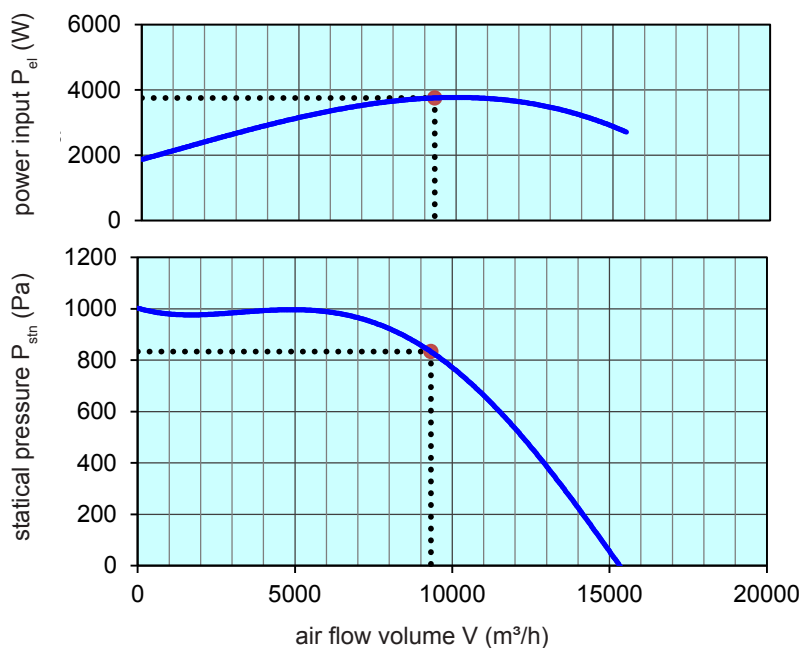
Erp 2013 2015 2018 x

Performance data

main voltage:	(V)	400 (3~)
frequency:	(Hz)	50
current max.:	(A)	7,7
power input max.:	(kW)	3,82
air flow volume max.:	(m³/h)	15425
statical pressure max.:	(Pa)	1010
speed max.:	(rpm)	1350
supply air temperature:	(°C)	-25... +45
capacitor:	(µF)	-

ErP-Data:

total efficiency fan (η_e):	(%)	60,3
installation category:		A
efficiency category:		static
efficiency grade: N	(%)	62
target efficiency (η_{target}):	(%)	57,5
speed controller		yes
year of manufacturing		since 2015
manufacturer:	Fischbach Luft- und Ventilatorentechnik GmbH D-57290 Neunkirchen / HRB 5804 Siegen	
order no. (left)		18127060
power input:	(kW)	3,75
air flow volume:	(m³/h)	9323
statical pressure:	(Pa)	833
speed:	(rpm)	1350
specific ratio:		1
disassembling/recycling/disposal: see page decommission		
installation/operation/maintenance: see operating and mounting instructions		
measurement for determination of efficiency without additional items		



control with	type	order-Nr.
FISCHBACH-frequency-converter	FFU3-21-5,5	63765
FISCHBACH-Pre-set 0-10V (optional accessories)	FS 10	69460

Technical documentation according to page: **General information**