

**Series: FREEWHEELING IMPELLER with
INSTALLATION FRAME FLRE**
with backward curved blades

FISCHBACH

Luft- und Ventilatorentechnik GmbH

Type: FLRE400/E25

ERP KONFORM



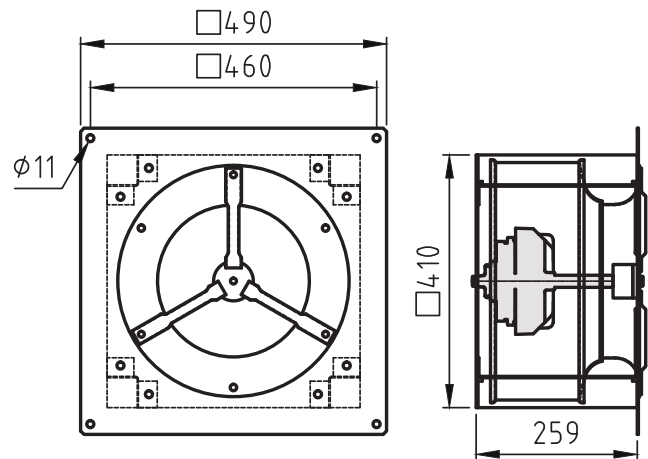
CE -conform

manufacturer:

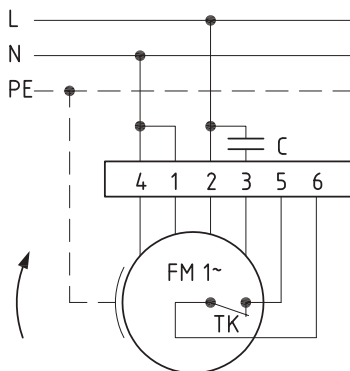
Fischbach Luft- und Ventilatorentechnik GmbH
Am Hellerberg 22-24
D-57290 Neunkirchen
phone: ++49(0)2735/777-0
telefax: ++49(0)2735/770-625
internet: www.fischbach-luft.de
email: info@fischbach-luft.de

Technical Data

weight:	(kg)	22,5
material housing:	steel, galvanized	
material impeller:	steel, galvanized	
direction of rotation:	left/right	
motor protection class:	IP 65	
insulation class:	F	
motor protection:	thermal contact	

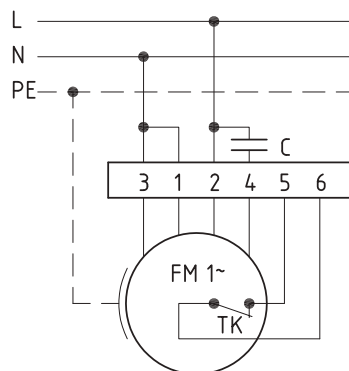


connection plan
0.11-1 r.



rotating right

connection plan
0.11-1 l.



rotating left

the silent one



**Series: FREEWHEELING IMPELLER with
INSTALLATION FRAME FLRE**

with backward curved blades

FISCHBACH

Luft- und Ventilatorentechnik GmbH

Type: FLRE400/E25

ErP 2013 2015 2018 x

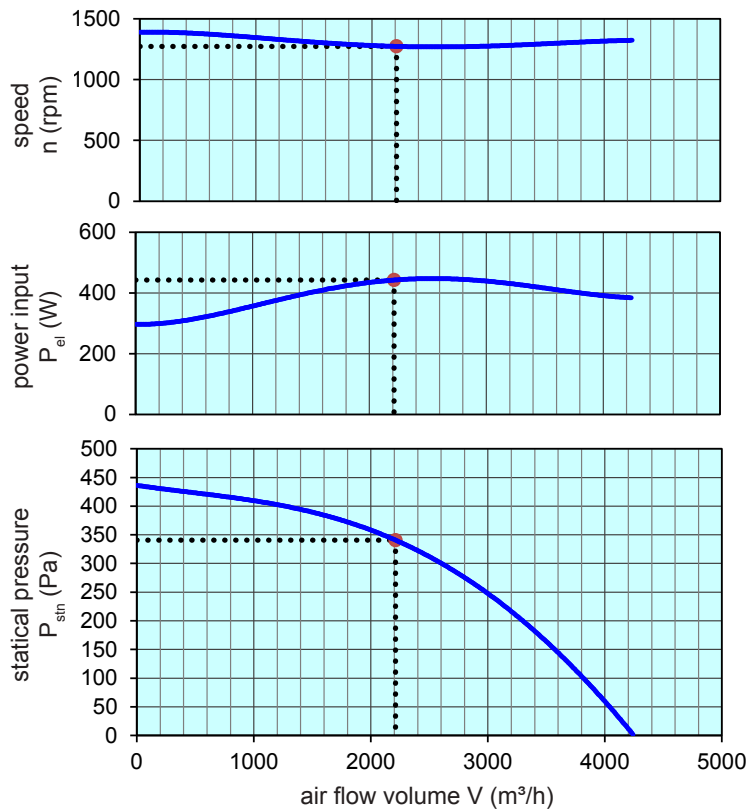
Performance data

main voltage:	(V)	230 (1~)
frequency:	(Hz)	50
current max.:	(A)	2,1
power input max.:	(kW)	0,45
air flow volume max.:	(m³/h)	4240
statical pressure max.:	(Pa)	432
speed max.:	(rpm)	1389
supply air temperature:	(°C)	-25...+60
capacitor:	(µF)	12

ErP-Data:

total efficiency fan (η_e):	(%)	47,9
installation category:		A
efficiency category:		static
efficiency grade: N	(%)	62
target efficiency (η_{target}):	(%)	47,7
speed controller		no
year of manufacturing		since 2015
manufacturer:	Fischbach Luft- und Ventilatorentechnik GmbH D-57290 Neunkirchen / HRB 5804 Siegen	
order no. (left)		18027020
power input:	(kW)	0,44
air flow volume:	(m³/h)	2210
statical pressure:	(Pa)	343
speed:	(rpm)	1280
specific ratio:		1

disassembling/recycling/disposal: see page decommission
installation/operation/maintenance: see operating and mounting instructions
measurement for determination of efficiency without additional items



Voltage Control	type	order-no.
FISCHBACH-Speed-Controller, stepless	FDR 55	6163
FISCHBACH-Speed-Controller, stepwise	FDR 420	6201
FISCHBACH-Automatic-Control	FRA 55	6252
FISCHBACH-Control-Unit Frequency-Converter	FRE 6	63001

Technical documentation according to page: **General information**