

**Series: FREEWHEELING IMPELLER with  
INSTALLATION FRAME FLRE**  
with backward curved blades

**FISCHBACH**

Luft- und Ventilatorentechnik GmbH

**Type: FLRE500/E65**

**ERP KONFORM**



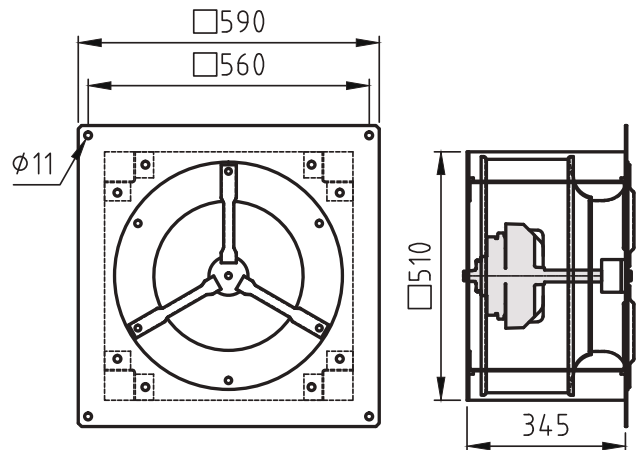
**CE** -conform

**manufacturer:**

Fischbach Luft- und Ventilatorentechnik GmbH  
Am Hellerberg 22-24  
D-57290 Neunkirchen  
phone: ++49(0)2735/777-0  
telefax: ++49(0)2735/770-625  
internet: www.fischbach-luft.de  
email: info@fischbach-luft.de

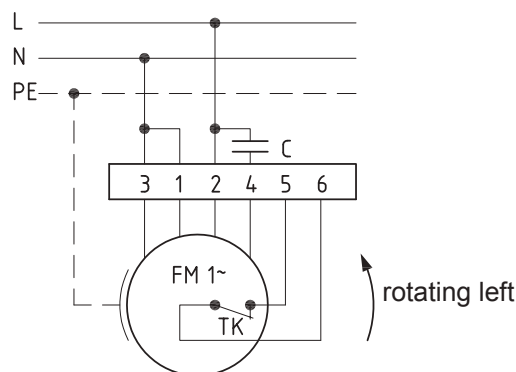
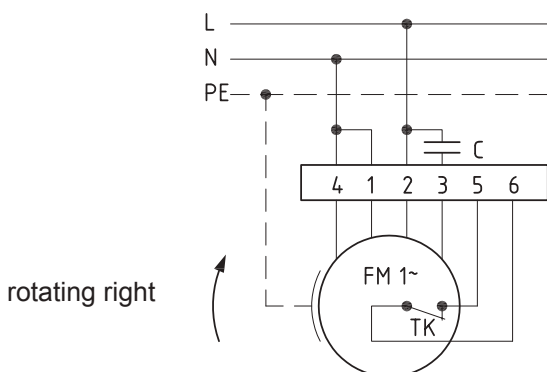
**Technical Data**

weight:	(kg)	34
material housing:	steel, galvanized	
material impeller:	steel, galvanized	
direction of rotation:	left/right	
motor protection class:	IP 65	
insulation class:	F	
motor protection:	thermal contact	

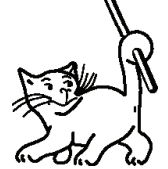


connection plan  
0.11-1 r.

connection plan  
0.11-1 l.



**100%  
controllable**



the silent one

**Series: FREEWHEELING IMPELLER with  
INSTALLATION FRAME FLRE**  
with backward curved blades

**FISCHBACH**  
Luft- und Ventilatorentechnik GmbH

**Type: FLRE500/E65**

ErP 2015 2016 x 2018

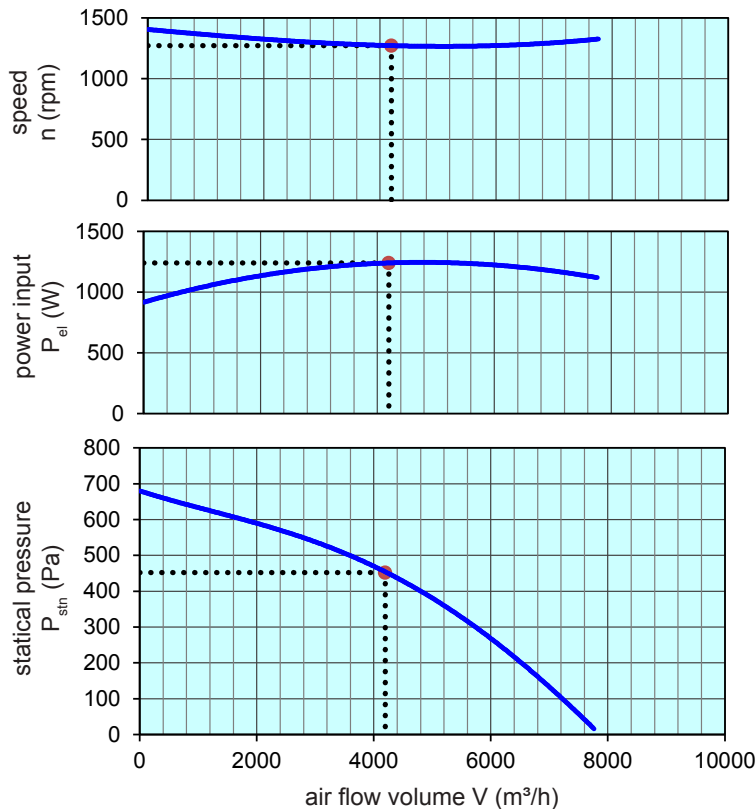
**Performance data**

main voltage:	(V)	230 (1~)
frequency:	(Hz)	50
current max.:	(A)	4,9
power input max.:	(kW)	1,3
air flow volume max.:	(m³/h)	7770
statical pressure max.:	(Pa)	690
speed max.:	(rpm)	1402
supply air temperature:	(°C)	-20...+60
capacitor:	(µF)	37,5

**ErP-Data:**

total efficiency fan ( $\eta_e$ ):	(%)	48,0
installation category:		A
efficiency category:		static
efficiency grade: N	(%)	58
target efficiency ( $\eta_{target}$ ):	(%)	48,0
speed controller		no
year of manufacturing		since 2015
manufacturer:	Fischbach Luft- und Ventilatorentechnik GmbH D-57290 Neunkirchen / HRB 5804 Siegen	
order no.: (left)		18027040
power input:	(kW)	1,15
air flow volume:	(m³/h)	4280
statical pressure:	(Pa)	463
speed:	(rpm)	1271
specific ratio:		1

disassembling/recycling/disposal: see page decommission  
installation/operation/maintenance: see operating and mounting instructions  
measurement for determination of efficiency without additional items



Voltage Control	type	order-no.
FISCHBACH-Speed-Controller, stepless	FDR 80	6164
FISCHBACH-Speed-Controller, stepwise	FDR 750	6202
FISCHBACH-Automatic-Control	FRA 80	6253
FISCHBACH-Control-Unit	FRE 6	63001

Technical documentation according to page: **General information**