

**Series: FREEWHEELING IMPELLER with  
INSTALLATION FRAME FLRE**  
with backward curved blades

**FISCHBACH**

Luft- und Ventilatorentechnik GmbH

**Type: FLRE630/D2**

**ERP KONFORM**

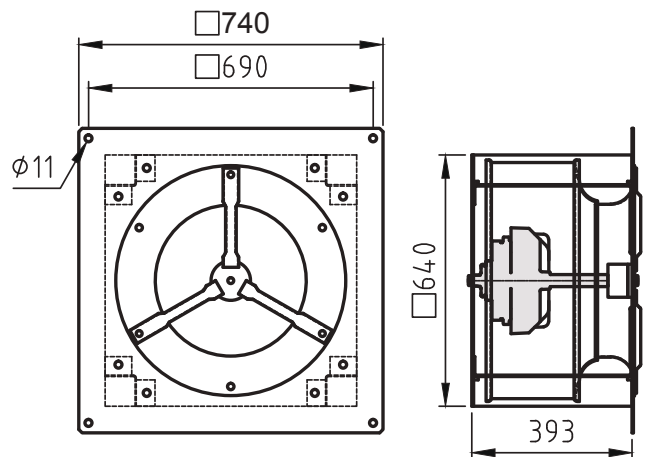


**CE** -conform

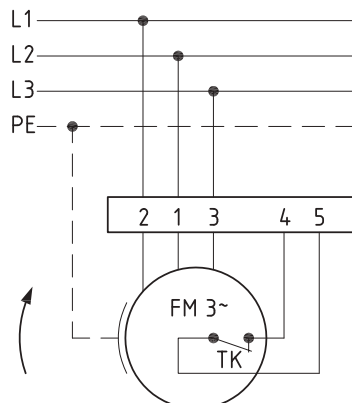
**manufacturer:**  
Fischbach Luft- und Ventilatorentechnik GmbH  
Am Hellerberg 22-24  
D-57290 Neunkirchen  
phone: ++49(0)2735/777-0  
telefax: ++49(0)2735/770-625  
internet: www.fischbach-luft.de  
email: info@fischbach-luft.de

**Technical Data**

weight:	(kg)	64
material housing:	steel, galvanized	
material impeller:	steel, galvanized	
direction of rotation:	left/right	
motor protection class:	IP 65	
insulation class:	F	
motor protection:	thermal contact	

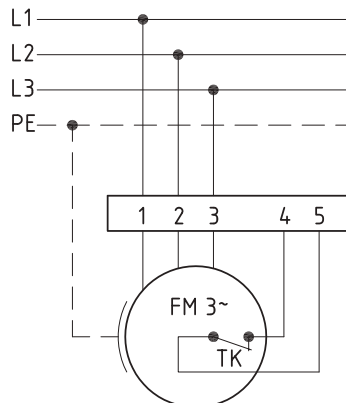


connection plan  
0.13-2 r.



rotating right

connection plan  
0.13-2 l.



rotating left

the silent one



**Series: FREEWHEELING IMPELLER with  
INSTALLATION FRAME FLRE**  
with backward curved blades

**FISCHBACH**  
Luft- und Ventilatorentechnik GmbH

**Type: FLRE630/D2**

ErP 2013\*\*x 2015 2018

**Performance data**

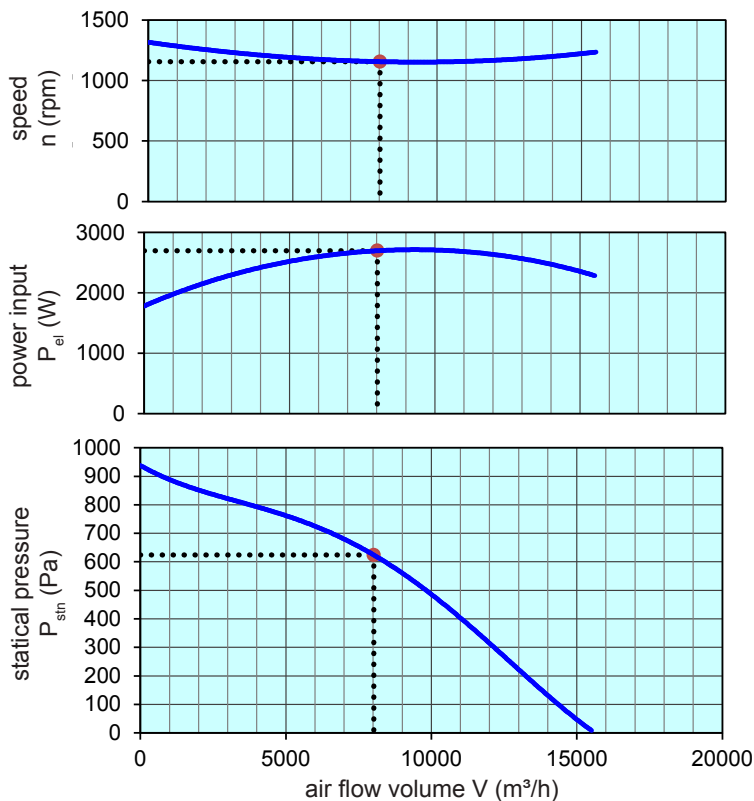
main voltage:	(V)	400 (3~)
frequency:	(Hz)	50
current max.:	(A)	5,7
power input max.:	(kW)	2,75
air flow volume max.:	(m³/h)	15500
statical pressure max.:	(Pa)	950
speed max.:	(rpm)	1319
supply air temperature:	(°C)	-25...+60
capacitor:	(µF)	-

**ErP-Data:**

total efficiency fan ( $\eta_e$ ):	(%)	52,0
installation category:		A
efficiency category:		static
efficiency grade: N	(%)	58
target efficiency ( $\eta_{target}$ ):	(%)	52,0
speed controller		no
year of manufacturing		since 2015
manufacturer:	Fischbach Luft- und Ventilatorentechnik GmbH D-57290 Neunkirchen / HRB 5804 Siegen	
order no.: (left)		18027060
power input:	(kW)	2,7
air flow volume:	(m³/h)	8022
statical pressure:	(Pa)	630
speed:	(rpm)	1156
specific ratio:		1

\*\* not suitable for distribution in EU countries, please choose an appropriate EC fan or contact our technical department

disassembling/recycling/disposal: see page decommission  
installation/operation/maintenance: see operating and mounting instructions  
measurement for determination of efficiency without additional items



Voltage Control	type	order.-no.
FISCHBACH-Speed-Controller, stepless	FDR 80/3	6232
FISCHBACH-Speed-Controller, stepwise	FDR 8.0/3	6183
FISCHBACH-Frequency-Converter	FFU3-21-4	63760

Technical documentation according to page: **General information**