

Series: HIGH EFFICIENCY FAN Type HD

double inlet
with backward curved blades

FISCHBACH

Luft- und Ventilatorentechnik GmbH

Type: HD710/2xD5

ERP KONFORM



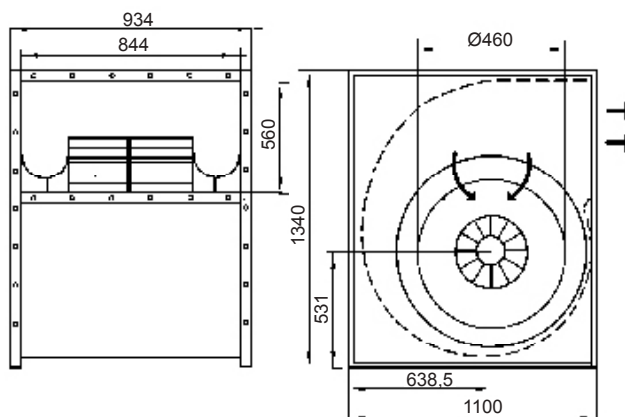
CE -conform

manufacturer:

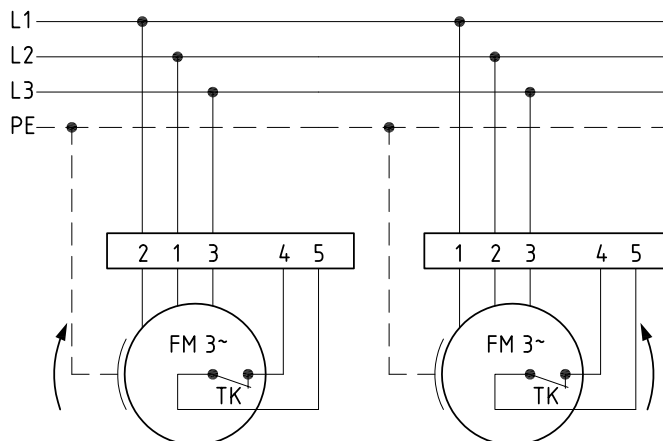
Fischbach Luft- und Ventilatorentechnik GmbH
Am Hellerberg 22-24
D-57290 Neunkirchen
phone: ++49(0)2735/777-0
telefax: ++49(0)2735/770-625
internet: www.fischbach-luft.de
email: info@fischbach-luft.de

Technical Data

| | | |
|------------------------|-------------------|-----|
| weight: | (kg) | 180 |
| material housing: | steel, galvanized | |
| material impeller: | steel, galvanized | |
| direction of rotation: | left | |
| protection class: | IP 65 | |
| insulation class: | F | |
| motor protection: | thermal contact | |



connection plan
0.16-1 / 0.16a-1



the silent one



Series: HIGH EFFICIENCY FAN Type HD

double inlet
with backward curved blades

FISCHBACH

Luft- und Ventilatorentechnik GmbH

Type: HD710/2xD5

ErP 2013 2015 x 2018

Performance data

| | | |
|-------------------------|--------|------------|
| main voltage: | (V) | 400 (3~) |
| frequency: | (Hz) | 50 |
| current max.: | (A) | 26,1 |
| power input max.: | (kW) | 12,8 |
| air flow volume max.: | (m³/h) | 40280 |
| statical pressure max.: | (Pa) | 1700 |
| speed max.: | (rpm) | 1472 |
| supply air temperature: | (°C) | -25... +60 |
| capacitor: | (µF) | - |

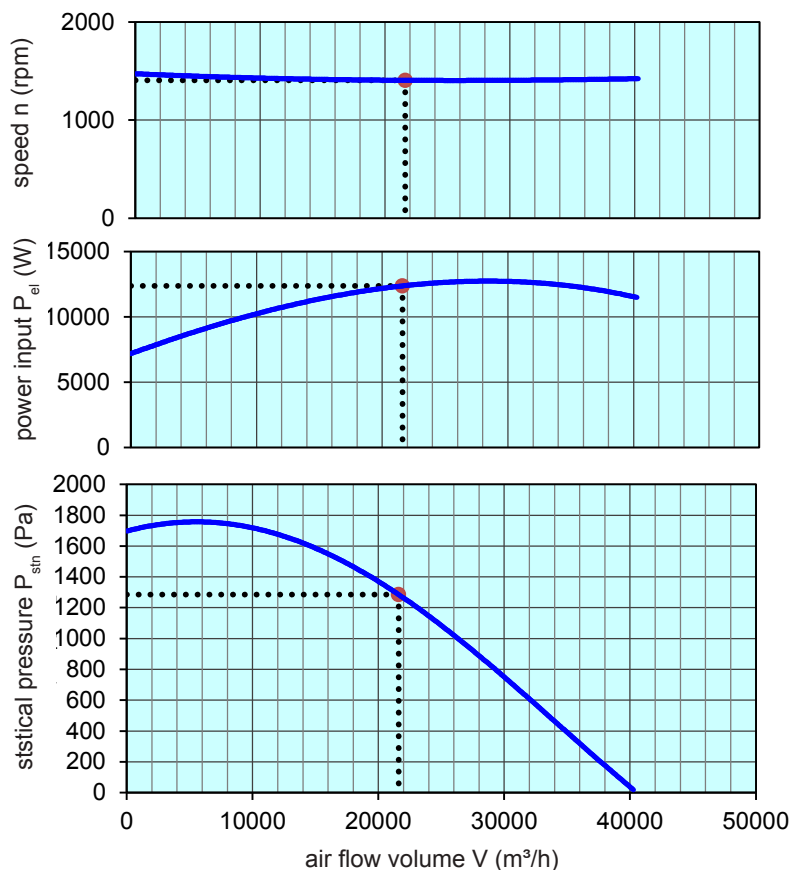
ErP-Data:

| | | |
|--|---|------------|
| total efficiency fan (η_e): | (%) | 62,7 |
| installation category: | | A |
| efficiency category: | | static |
| efficiency grade: N | (%) | 61 |
| target efficiency (η_{target}): | (%) | 61,9 |
| speed controller | | no |
| year of manufacturing | | since 2015 |
| manufacturer: | Fischbach Luft- und Ventilatorentechnik GmbH D-57290 Neunkirchen / HRB 5804 Siegen | |
| order no. | | 18002050 |
| power input: | (kW) | 12,3 |
| air flow volume: | (m³/h) | 21613 |
| statical pressure: | (Pa) | 1285 |
| speed: | (rpm) | 1405 |
| specific ratio: | | 1 |

disassembling/recycling/disposal: see page decommission

installation/operation/maintenance: see operating and mounting instructions

measurement for determination of efficiency without additional items



Speed controller / accessories / sound data, please see in the appropriate table

Technical documentation according to page: **General information**