

Series: HIGH EFFICIENCY FAN Type HE

single inlet
with backward curved blades

FISCHBACH

Luft- und Ventilatorentechnik GmbH

Type: HE500/D2

ERP KONFORM



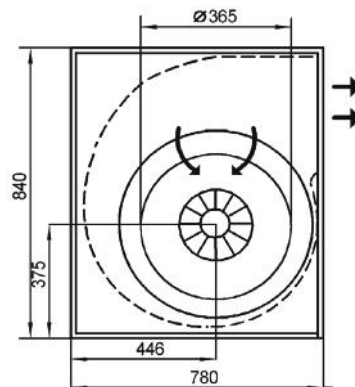
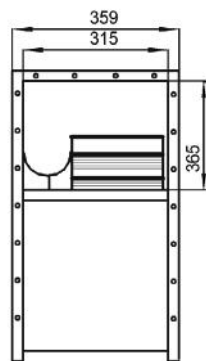
CE -conform

manufacturer:

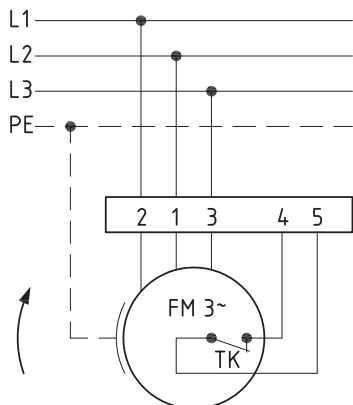
Fischbach Luft- und Ventilatorentechnik GmbH
Am Hellerberg 22-24
D-57290 Neunkirchen
phone: ++49(0)2735/777-0
telefax: ++49(0)2735/770-625
internet: www.fischbach-luft.de
email: info@fischbach-luft.de

Technical Data

weight:	(kg)	100
material housing:	steel, galvanized	
material impeller:	steel, galvanized	
direction of rotation:	left/right	
protection class:	IP 65	
insulation class:	F	
motor protection:	thermal contact	

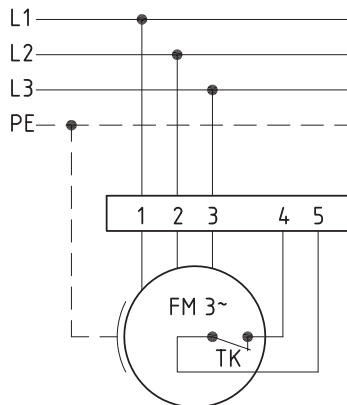


connection plan
0.13-2 r.



rotating right

connection plan
0.13-2 l.



rotating left

the silent one



Series: HIGH EFFICIENCY FAN Type HEsingle inlet
with backward curved blades**FISCHBACH**

Luft- und Ventilatorentechnik GmbH

Type: HE500/D2

ErP 2013 2015 x 2018

Performance data

main voltage:	(V)	400 (3~)
frequency:	(Hz)	50
current max.:	(A)	5,0
power input max.:	(kW)	2,4
air flow volume max.:	(m ³ /h)	8915
statical pressure max.:	(Pa)	980
speed max.:	(rpm)	1453
supply air temperature:	(°C)	-25... +70
capacitor:	(µF)	-

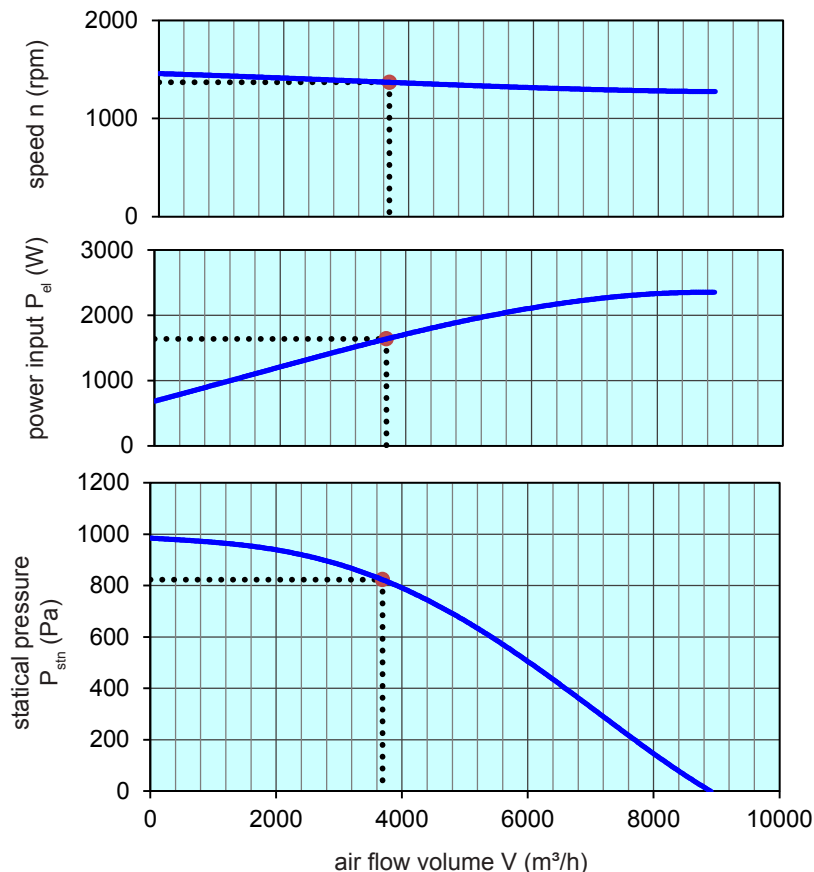
ErP-Data:

total efficiency fan (η_e):	(%)	52,7
installation category:		A
efficiency category:		static
efficiency grade: N	(%)	61
target efficiency (η_{target}):	(%)	52,6
speed controller		no
year of manufacturing		since 2015
manufacturer:	Fischbach Luft- und Ventilatorentechnik GmbH D-57290 Neunkirchen / HRB 5804 Siegen	
order no.		18001016/18001017
power input:	(kW)	1,6
air flow volume:	(m ³ /h)	3690
statical pressure:	(Pa)	823
speed:	(rpm)	1370
specific ratio:		1

disassembling/recycling/disposal: see page decommission

installation/operation/maintenance: see operating and mounting instructions

measurement for determination of efficiency without additional items

**Speed controller / accessories / sound data**, please see in the appropriate tableTechnical documentation according to page: **General information**