

**Series:** HIGH EFFICIENCY FAN Type HE

single inlet  
with backward curved blades

**FISCHBACH**

Luft- und Ventilatorentechnik GmbH

**Type:** HE710/D5

ERP KONFORM



CE -conform

**manufacturer:**

Fischbach Luft- und Ventilatorentechnik GmbH  
Am Hellerberg 22-24

D-57290 Neunkirchen

phone: ++49(0)2735/777-0

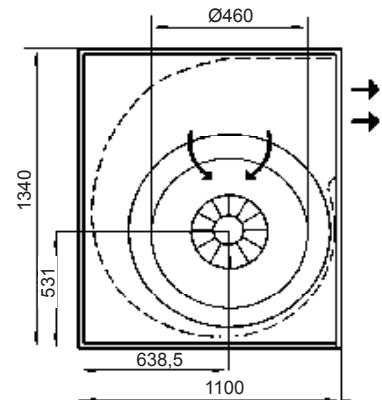
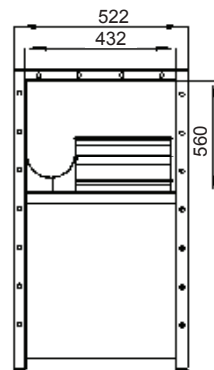
telefax: ++49(0)2735/770-625

internet: www.fischbach-luft.de

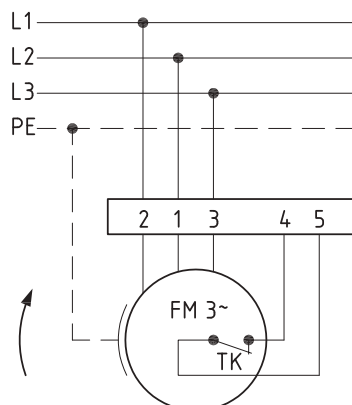
email: info@fischbach-luft.de

**Technical Data**

weight:	(kg)	120
material housing:	steel, galvanized	
material impeller:	steel, galvanized	
direction of rotation:	left/right	
protection class:	IP 65	
insulation class:	F	
motor protection:	thermal contact	

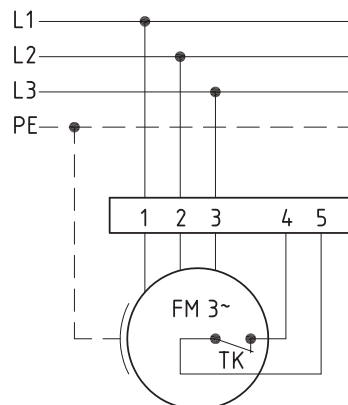


connection plan  
0.13-2 r.



rotating right

connection plan  
0.13-2 l.



rotating left

the silent one



**Series: HIGH EFFICIENCY FAN Type HE**

single inlet  
with backward curved blades

**FISCHBACH**

Luft- und Ventilatorentechnik GmbH

**Type: HE710/D5**

ErP 2013 2015 x 2018

**Performance data**

main voltage:	(V)	400 (3~)
frequency:	(Hz)	50
current max.:	(A)	14,8
power input max.:	(kW)	7,1
air flow volume max.:	(m³/h)	20240
statical pressure max.:	(Pa)	1770
speed max.:	(rpm)	1448
supply air temperature:	(°C)	-25... +70
capacitor:	(µF)	-

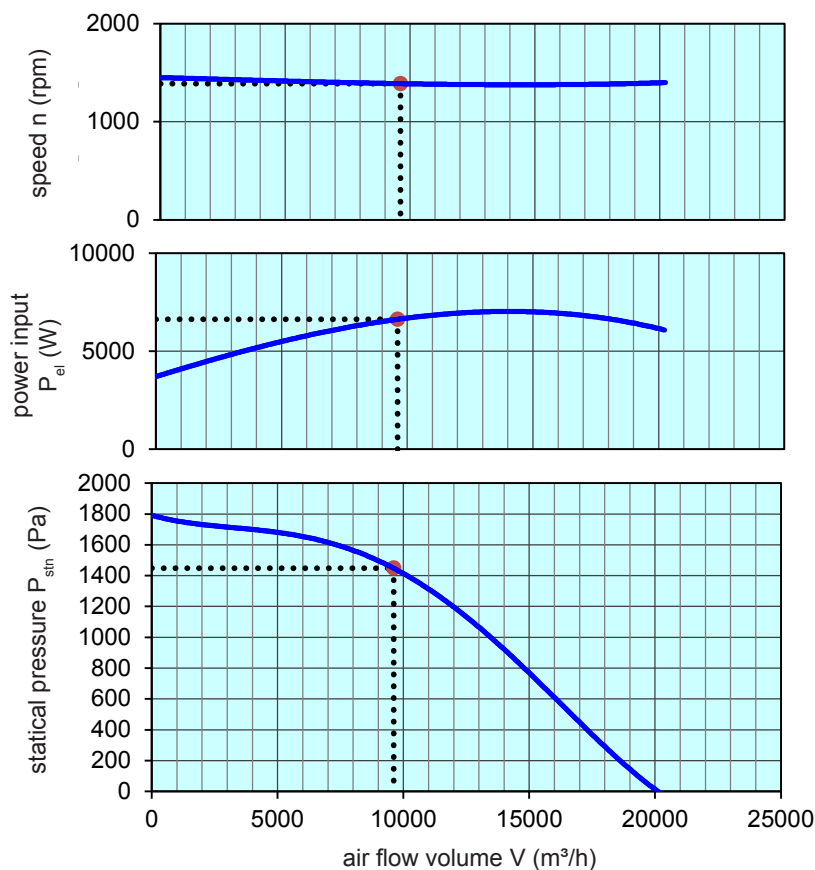
**ErP-Data:**

total efficiency fan ( $\eta_e$ ):	(%)	59,1
installation category:		A
efficiency category:		static
efficiency grade: N	(%)	61
target efficiency ( $\eta_{target}$ ):	(%)	59,1
speed controller		no
year of manufacturing		since 2015
manufacturer:	Fischbach Luft- und Ventilatorentechnik GmbH D-57290 Neunkirchen / HRB 5804 Siegen	
order no. (left/right)		18001040/18001046
power input:	(kW)	6,6
air flow volume:	(m³/h)	9650
statical pressure:	(Pa)	1455
speed:	(rpm)	1388
specific ratio:		1

disassembling/recycling/disposal: see page decommission

installation/operation/maintenance: see operating and mounting instructions

measurement for determination of efficiency without additional items



**Speed controller / accessories / sound data**, please see in the appropriate table

Technical documentation according to page: **General information**