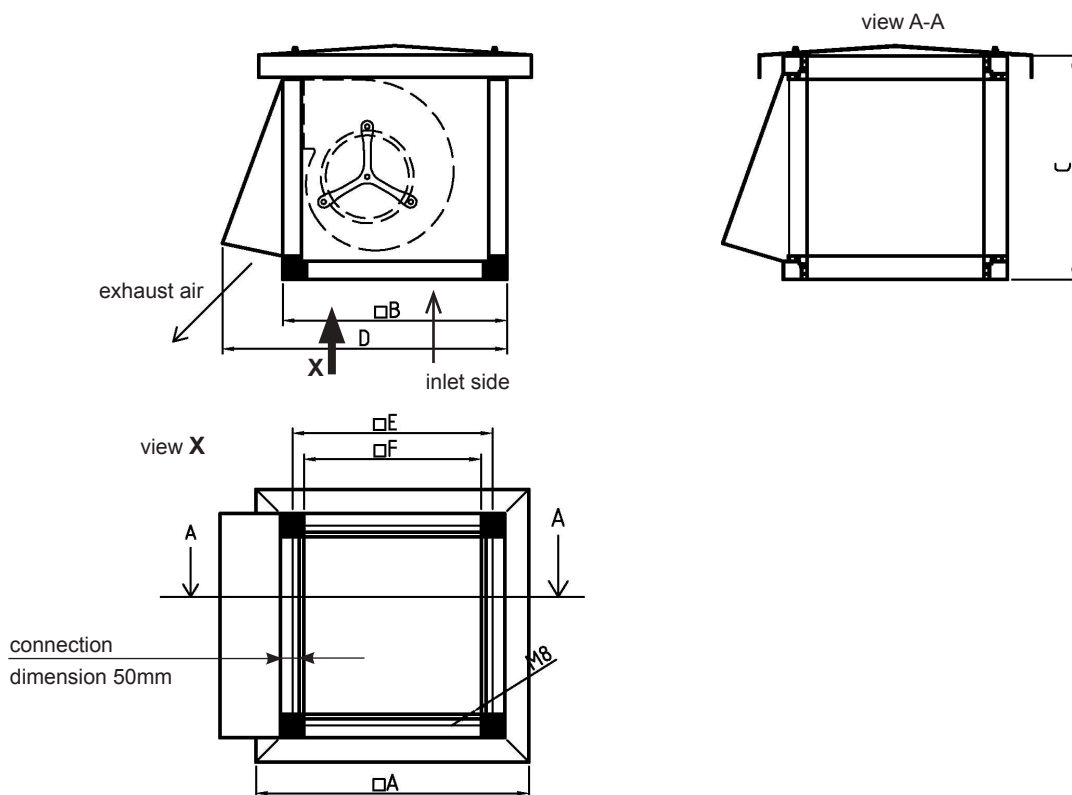


## FISCHBACH - ROOF TOP UNIT 41.xxx - standard series - dimensions -



size	type	order.-No.	fan type .../E.. = 1x230V .../D.. = 3x400V	dimensions (mm)					
				A	B	C	D	E (hole distance)	F (clear opening)
1	41.101	58411010	D540/E25	730	600	600	990	534	474
	41.101 EC	58811010	D540/EM25						
	41.103	58411030	DS6-740/E35						
	41.103 EC	58811030	DS6-740/EM35						
	41.104	58411040	DS6-740/E65						
	41.104 EC	58811040	DS6-740/DM500						
2	41.201	58412008	D770/E65	880	750	750	1240	684	624
	41.201 EC	58812008	D770/EM850						
	41.202	58412009	D770/E80						
	41.202 EC	58812009	D770/DM850						
	41.203	58412010	D770/D1						
	41.203 EC	58812010	D770/DM1						
3	41.308	58413080	D970/D2	1130	1000	1000	1605	934	874
	41.308 EC	58813080	D970/DM2						
	41.309	58413090	DS9-070/D2.5						
	41.309 EC	58813090	DS9-070/DM2.5						
	41.310	58413100	DS9-070/D5						
	41.311	58413110	DS9-001/D5						
4	41.406	58414060	DS9-070/D5	1480	1350	1350	2230	1284	1224
	41.407	58414070	DS9-001/D5						
	41.409	58414090	DS0-001/TD10						
	41.411	58414110	HD560/D5						