

Series: ROOF TOP UNIT TYPE 41 norm
 with FISCHBACH COMPACT FAN
 Type D/DS EC-MOTOR

FISCHBACH
 Luft- und Ventilatorentechnik GmbH

Type: 41.309-EC D9-070/DM2.5

ERP KONFORM

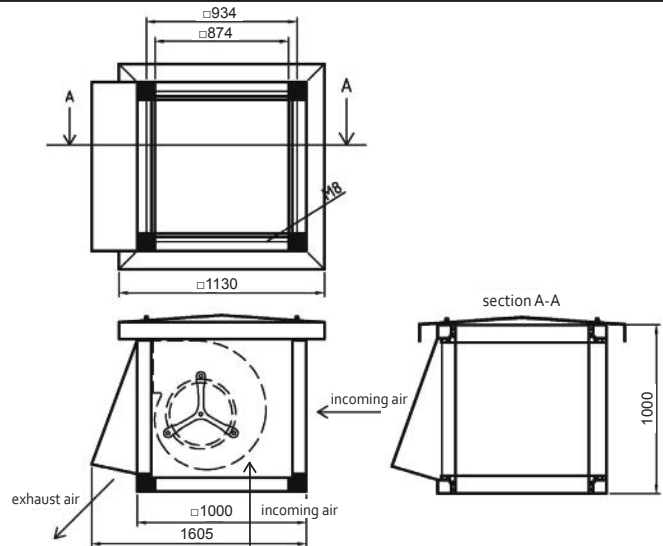
CE -conform



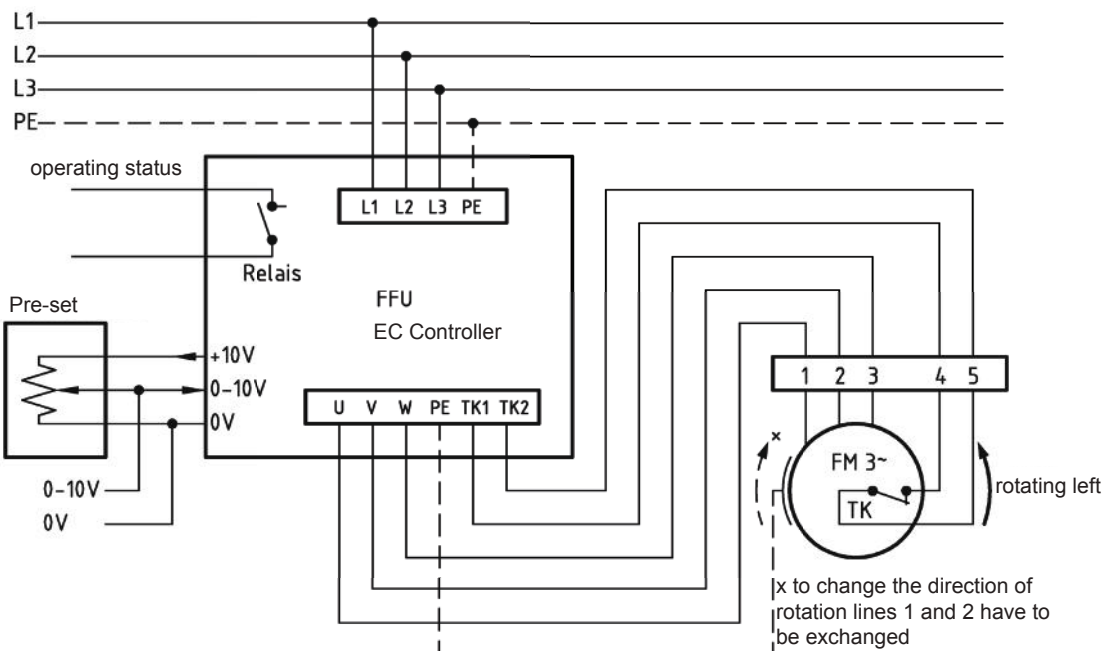
manufacturer:
 Fischbach Luft- und Ventilatorentechnik GmbH
 Am Hellerberg 22-24
 D-57290 Neunkirchen
 phone: ++49(0)2735/777-0
 telefax: ++49(0)2735/770-625
 internet: www.fischbach-luft.de
 email: info@fischbach-luft.de

Technical Data

weight:	(kg)	69
material housing:		aluminum/plastic steel, galvanized
material impeller:		steel, galvanized
direction of rotation:		left
motor protection class:		IP 65
insulation class:		F
motor protection:		thermal contact

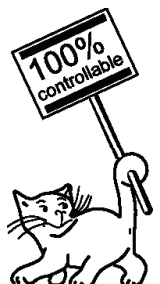


connection plan*
FFU-EC 400



* Connection only according to the enclosed technical documentation.

the silent one



Type: 41.309-EC D9-070/DM2.5

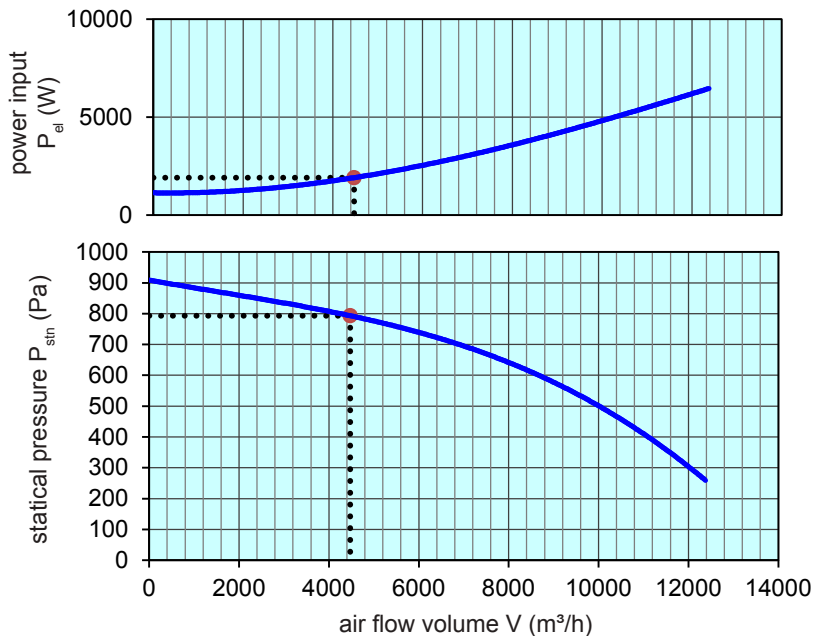
Erp 2013 2015 2018 x

Performance data

main voltage:	(V)	400 (3~)
frequency:	(Hz)	50
current max.:	(A)	11,6
power input max.:	(kW)	6,3
air flow volume max.:	(m³/h)	12380
statical pressure max.:	(Pa)	893
speed max.:	(rpm)	1140
supply air temperature:	(°C)	-25... +45
capacitor:	(µF)	-

ErP-Data:

total efficiency fan (η_e):	(%)	54,9
installation category:		A
efficiency category:		static
efficiency grade: N	(%)	42
target efficiency (η_{target}):	(%)	46,0
speed controller		yes
year of manufacturing		since 2015
manufacturer:	Fischbach Luft- und Ventilatorentechnik GmbH D-57290 Neunkirchen / HRB 5804 Siegen	
order no.:		upon request
power input:	(kW)	1,9
air flow volume:	(m³/h)	4473
statical pressure:	(Pa)	785
speed:	(rpm)	1140
specific ratio:		1
disassembling/recycling/disposal: see page decommission		
installation/operation/maintenance: see operating and mounting instructions		
measurement for determination of efficiency without additional items		



control with	type	order-Nr.
FISCHBACH-frequency-converter	FFU3-21-7.5	63770
FISCHBACH-Pre-set 0-10V (optional accessories)	FS 10	69460

Technical documentation according to page: **General information**