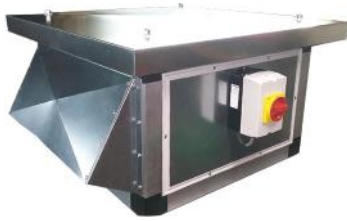


Series: ROOF TOP UNIT TYPE 42
 with FREEWHEELING IMPELLER with
 backward curved blades - EC-MOTOR

FISCHBACH

Luft- und Ventilatorentechnik GmbH

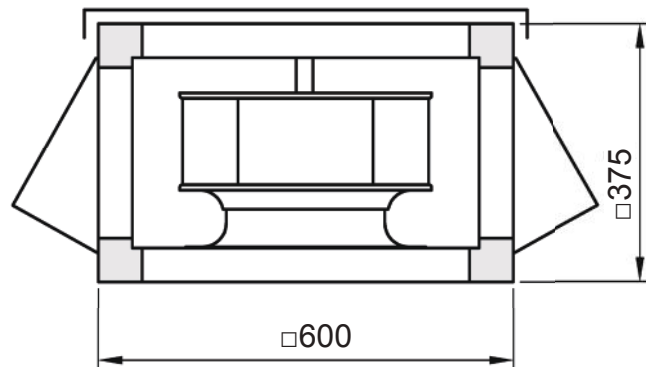
Type: 42.101-EC FLR355/EM15 **ERP KONFORM**



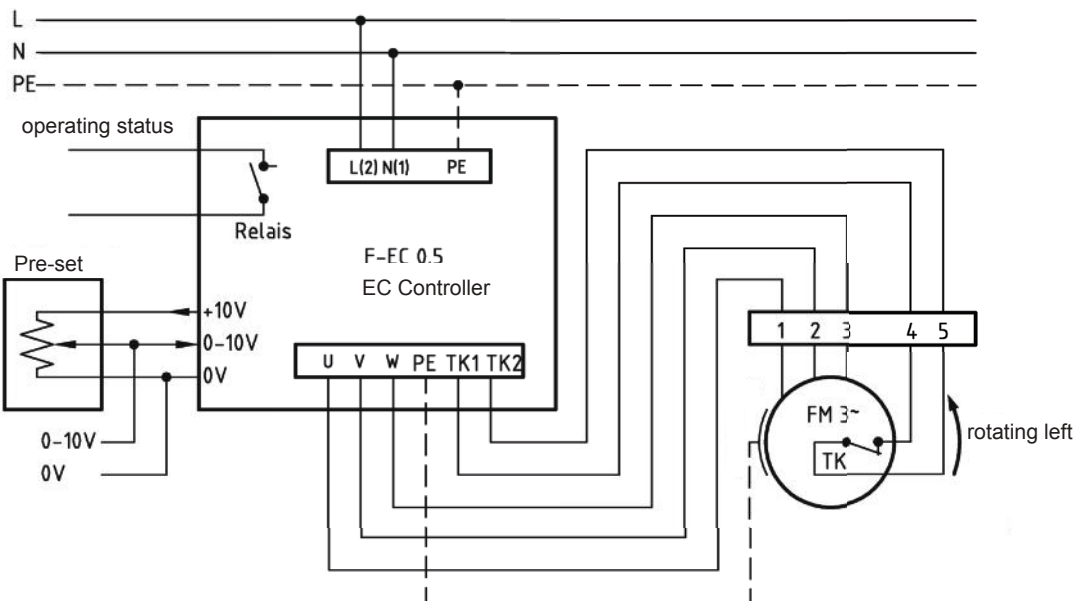
manufacturer:
 Fischbach Luft- und Ventilatorentechnik GmbH
 Am Hellerberg 22-24
 D-57290 Neunkirchen
 phone: ++49(0)2735/777-0
 telefax: ++49(0)2735/770-625
 internet: www.fischbach-luft.de
 email: info@fischbach-luft.de

Technical Data

weight:	(kg)	20
material housing:	aluminum/plastic	
	steel, galvanized	
material impeller:	steel, galvanized	
direction of rotation:	left	
motor protection class:	IP 65	
insulation class:	F	
motor protection:	thermal contact	

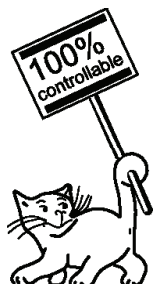


connection plan*
 F-EC 0.5



* Connection only according to the enclosed technical documentation.

the silent one



Series: ROOF TOP UNIT TYPE 42
 with FREEWHEELING IMPELLER with
 backward curved blades - EC-MOTOR

FISCHBACH
 Luft- und Ventilatorentechnik GmbH

Type: 42.101-EC FLR355/EM15

Erp 2013 2015 2018 x

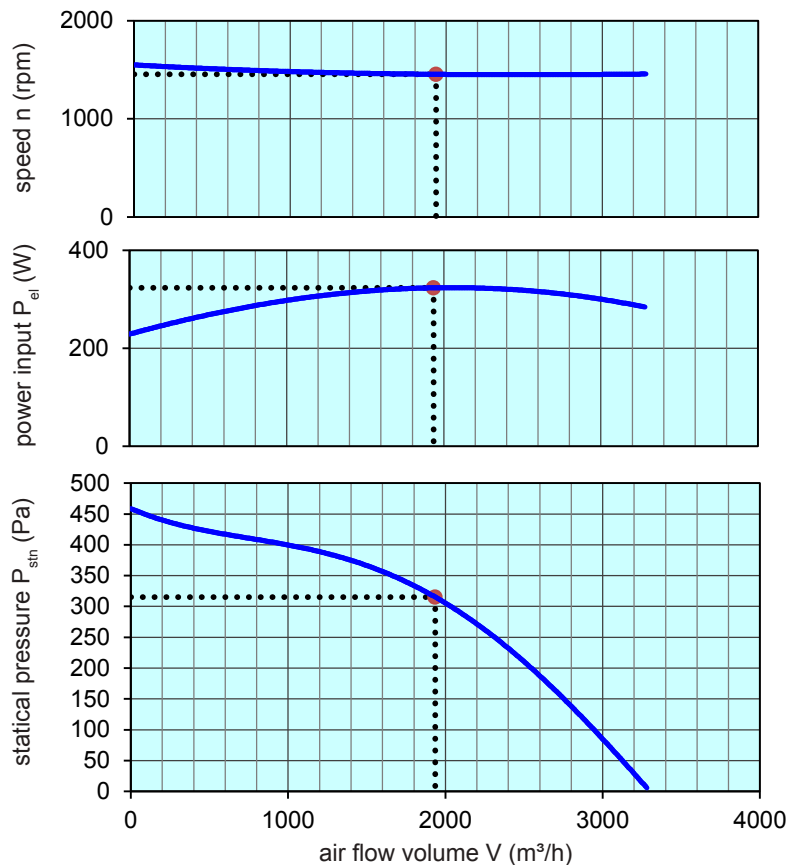
Performance data

main voltage:	(V)	230 (1~)
frequency:	(Hz)	50
current max.:	(A)	2,2
power input max.:	(kW)	0,33
air flow volume max.:	(m³/h)	3280
statical pressure max.:	(Pa)	460
speed max.:	(rpm)	1547
supply air temperature:	(°C)	-25... +60
capacitor:	(µF)	-

ErP-Data:

total efficiency fan (η_e):	(%)	59,4
installation category:		A
efficiency category:		static
efficiency grade: N	(%)	62
target efficiency (η_{target}):	(%)	46,3
speed controller		yes
year of manufacturing		since 2015
manufacturer:	Fischbach Luft- und Ventilatorentechnik GmbH D-57290 Neunkirchen / HRB 5804 Siegen	
order no.:		58415110
power input:	(kW)	0,32
air flow volume:	(m³/h)	1935
statical pressure:	(Pa)	315
speed:	(rpm)	1454
specific ratio:		1

disassembling/recycling/disposal: see page decommission
 installation/operation/maintenance: see operating and mounting instructions
 measurement for determination of efficiency without additional items



control with	type	order-Nr.
FISCHBACH-EC-controller	F-EC 0.5	63003
FISCHBACH-Pre-set 0-10V (optional accessories)	FS 10	69460

Technical documentation according to page: **General information**