

**Series: ROOF TOP UNIT TYPE 40, flat**  
 with FISCHBACH COMPACT FAN  
 Type CE with forward curved blades

**FISCHBACH**  
 Luft- und Ventilatorentechnik GmbH

**Type: 40-3/3 CE890/E65**

**ERP KONFORM**

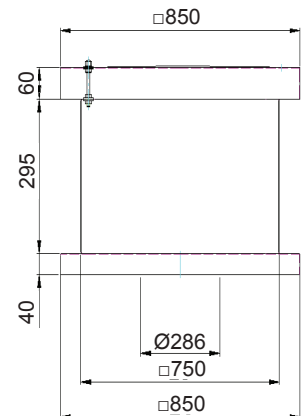
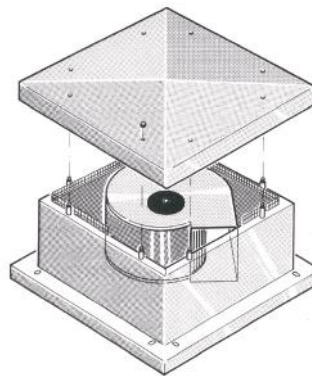
**CE** -conform



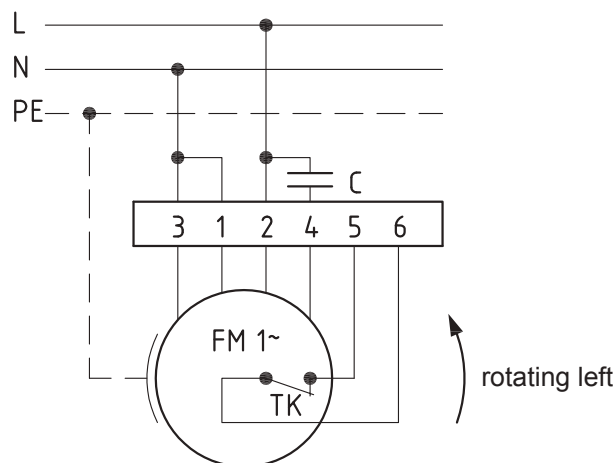
**manufacturer:**  
 Fischbach Luft- und Ventilatorentechnik GmbH  
 Am Hellerberg 22-24  
 D-57290 Neunkirchen  
 phone: ++49(0)2735/777-0  
 telefax: ++49(0)2735/770-625  
 internet: www.fischbach-luft.de  
 email: info@fischbach-luft.de

**Technical Data**

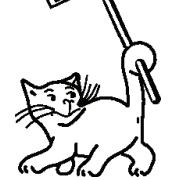
weight:	(kg)	35
material housing:	steel, galvanized	
material impeller:	steel, galvanized	
direction of rotation:	left	
motor protection class:	IP 65	
insulation class:	F	
motor protection:	thermal contact	



**connection plan**  
 0.11-1 I.



**100% controllable**



the silent one

**Series: ROOF TOP UNIT TYPE 40, flat**  
 with FISCHBACH COMPACT FAN  
 Type CE with forward curved blades

**FISCHBACH**

Luft- und Ventilatorentechnik GmbH

**Type: 40-3/3 CE890/E65**

Erp 2013 2015 x 2018

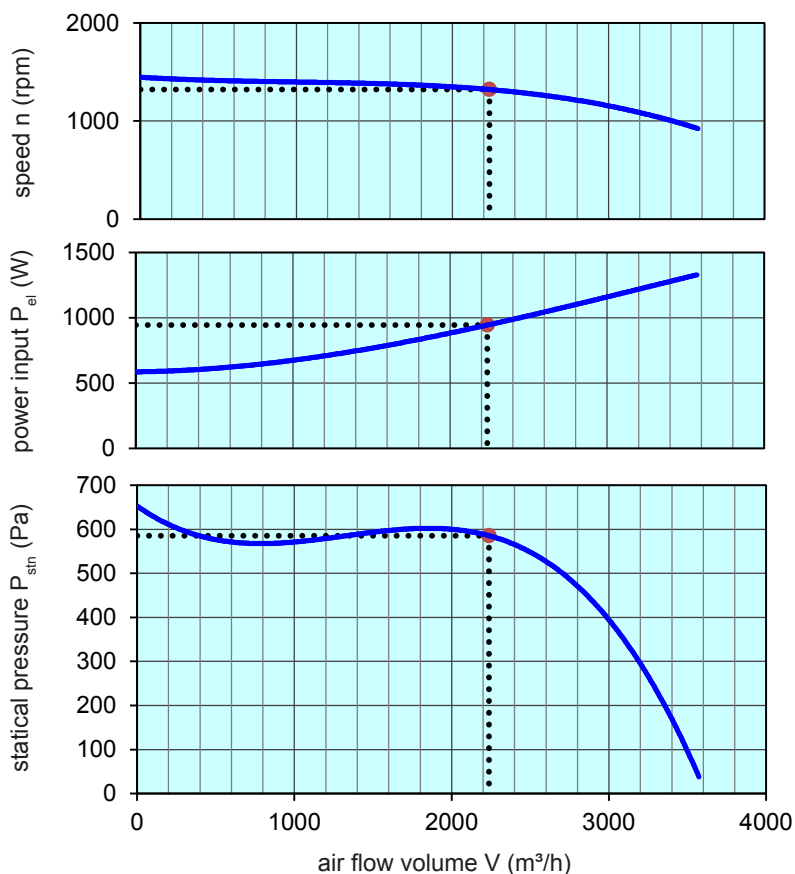
**Performance data**

main voltage:	(V)	230 (1~)
frequency:	(Hz)	50
current max.:	(A)	6,2
power input max.:	(kW)	1,32
air flow volume max.:	(m³/h)	3573
statical pressure max.:	(Pa)	633
speed max.:	(rpm)	1436
supply air temperature:	(°C)	-25... +60
capacitor:	(µF)	30

**ErP-Data:**

total efficiency fan ( $\eta_e$ ):	(%)	38,7
installation category:		A
efficiency category:		static
efficiency grade: N	(%)	44
target efficiency ( $\eta_{target}$ ):	(%)	37,5
speed controller		no
year of manufacturing		since 2015
manufacturer:	Fischbach Luft- und Ventilatorentechnik GmbH D-57290 Neunkirchen / HRB 5804 Siegen	
order no.:		18040040
power input:	(kW)	0,94
air flow volume:	(m³/h)	2237
statical pressure:	(Pa)	585
speed:	(rpm)	1320
specific ratio:		1

disassembling/recycling/disposal: see page decommission  
 installation/operation/maintenance: see operating and mounting instructions  
 measurement for determination of efficiency without additional items



**Speed controller / accessories / sound data**, please see in the appropriate table

Technical documentation according to page: **General information**