

Series: ROOF TOP UNIT TYPE 41, norm
with FISCHBACH COMPACT FAN
Type D/DS

FISCHBACH

Luft- und Ventilatorentechnik GmbH

Type: 41.103 DS6-740/E35

ERP KONFORM

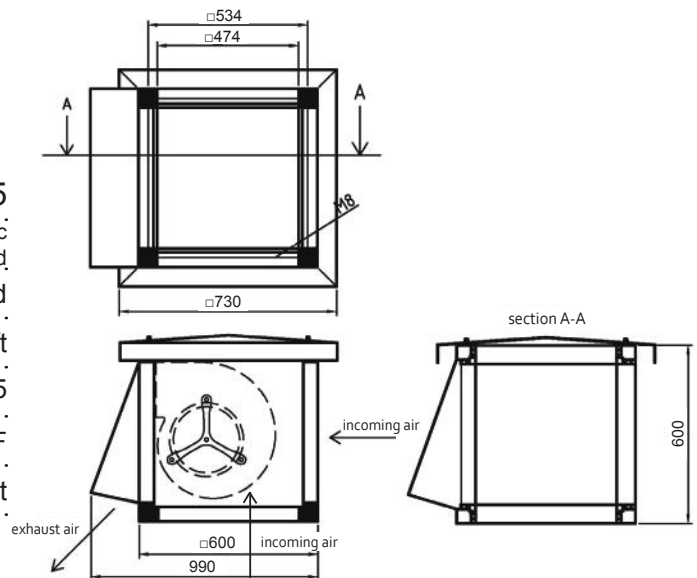
CE -conform



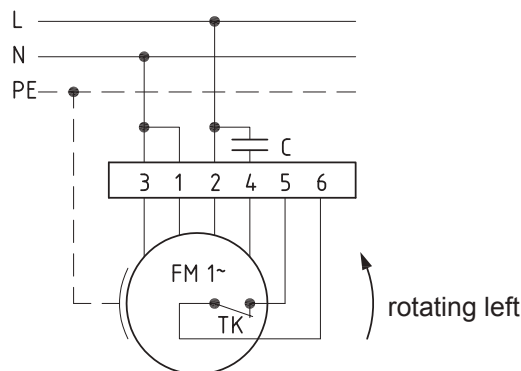
manufacturer:
Fischbach Luft- und Ventilatorentechnik GmbH
Am Hellerberg 22-24
D-57290 Neunkirchen
phone: ++49(0)2735/777-0
telefax: ++49(0)2735/770-625
internet: www.fischbach-luft.de
email: info@fischbach-luft.de

Technical Data

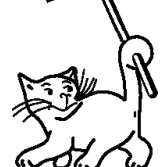
weight:	(kg)	35
material housing:	aluminum/plastic	
	steel, galvanized	
material impeller:	steel, galvanized	
direction of rotation:	left	
motor protection class:	IP 65	
insulation class:	F	
motor protection:	thermal contact	



connection plan
0.11-1 I.



100% controllable



the silent one

Series: **ROOF TOP UNIT TYPE 41, norm**
 with FISCHBACH COMPACT FAN
 Type D/DS

FISCHBACH
 Luft- und Ventilatorentechnik GmbH

Type: 41.103 DS6-740/E35

Erp 2013 2015 x 2018

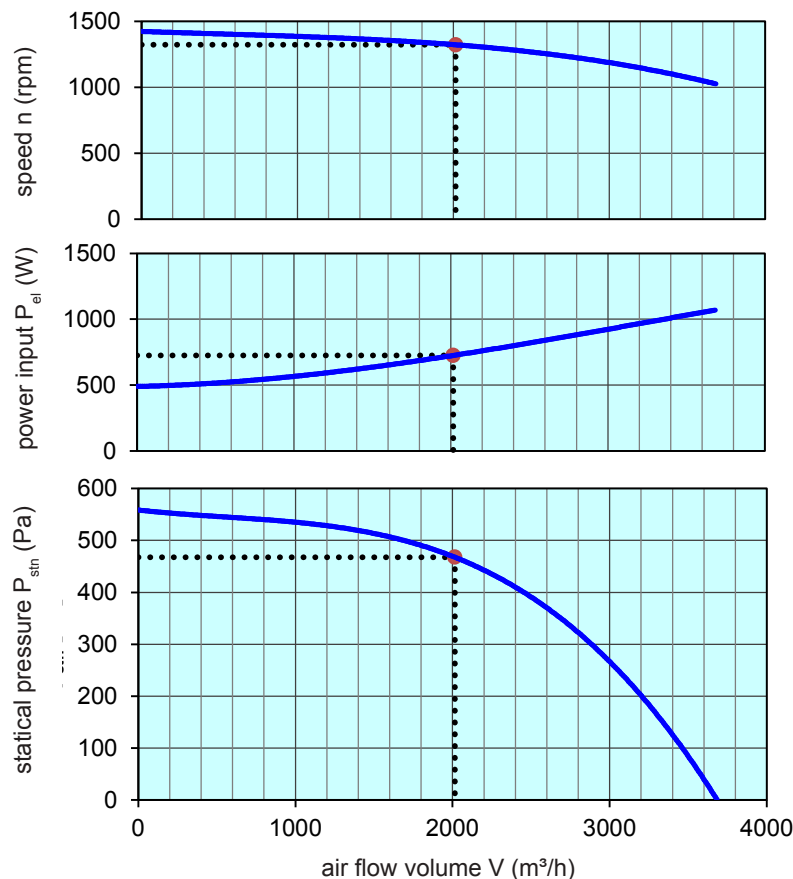
Performance data

main voltage:	(V)	230 (1~)
frequency:	(Hz)	50
current max.:	(A)	4,9
power input max.:	(kW)	1,1
air flow volume max.:	(m³/h)	3685
statical pressure max.:	(Pa)	550
speed max.:	(rpm)	1420
supply air temperature:	(°C)	-25...+60
capacitor:	(µF)	25

ErP-Data:

total efficiency fan (η_e):	(%)	36,8
installation category:		A
efficiency category:		static
efficiency grade: N	(%)	44
target efficiency (η_{target}):	(%)	36,7
speed controller		no
year of manufacturing		since 2015
manufacturer:	Fischbach Luft- und Ventilatorentechnik GmbH D-57290 Neunkirchen / HRB 5804 Siegen	
order no.:		18411030
power input:	(kW)	0,72
air flow volume:	(m³/h)	2030
statical pressure:	(Pa)	470
speed:	(rpm)	1322
specific ratio:		1

disassembling/recycling/disposal: see page decommission
 installation/operation/maintenance: see operating and mounting instructions
 measurement for determination of efficiency without additional items



Speed controller / accessories / sound data, please see in the appropriate table

Technical documentation according to page: **General information**