

**Series: ROOF TOP UNIT TYPE 41, norm**  
with FISCHBACH COMPACT FAN  
Type D/DS

**FISCHBACH**

Luft- und Ventilatorentechnik GmbH

**Type: 41.310 DS9-070/D5**

**ERP KONFORM**

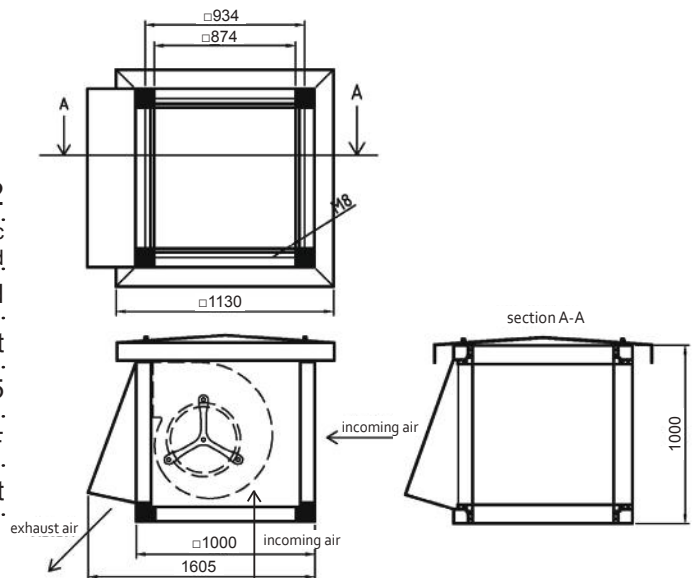
**CE** -conform



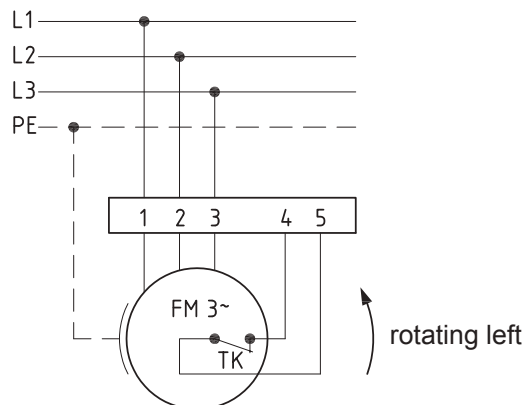
**manufacturer:**  
Fischbach Luft- und Ventilatorentechnik GmbH  
Am Hellerberg 22-24  
D-57290 Neunkirchen  
phone: ++49(0)2735/777-0  
telefax: ++49(0)2735/770-625  
internet: www.fischbach-luft.de  
email: info@fischbach-luft.de

**Technical Data**

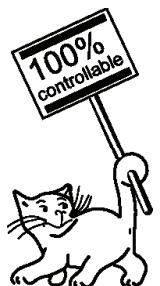
|                         |                   |    |
|-------------------------|-------------------|----|
| weight:                 | (kg)              | 92 |
| material housing:       | aluminum/plastic  |    |
|                         | steel, galvanized |    |
| material impeller:      | steel, galvanized |    |
| direction of rotation:  | left              |    |
| motor protection class: | IP 65             |    |
| insulation class:       | F                 |    |
| motor protection:       | thermal contact   |    |



**connection plan**  
0.13-2 I.



the silent one



**Series: ROOF TOP UNIT TYPE 41, norm**  
with FISCHBACH COMPACT FAN  
Type D/DS

**FISCHBACH**  
Luft- und Ventilatorentechnik GmbH

**Type: 41.310 DS9-070/D5**

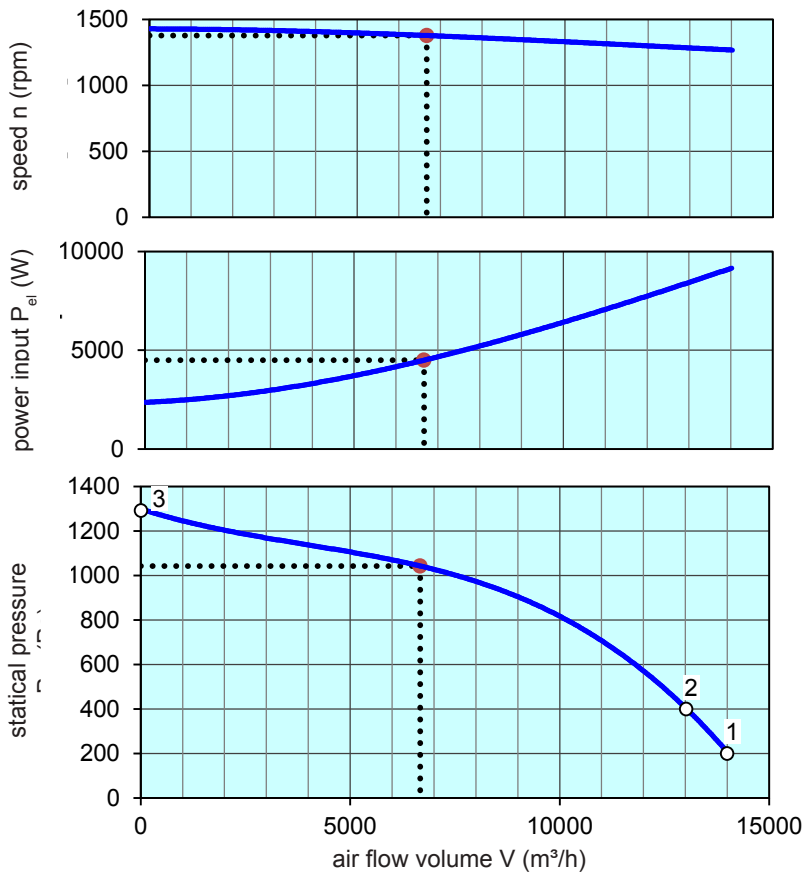
Erp 2013 2015 x 2018

**Performance data**

|                         |        |                       |
|-------------------------|--------|-----------------------|
| main voltage:           | (V)    | 400 (3~)              |
| frequency:              | (Hz)   | 50                    |
| current max.:           | (A)    | 18,1                  |
| power input max.:       | (kW)   | 9,2                   |
| air flow volume max.:   | (m³/h) | 14025                 |
| statical pressure max.: | (Pa)   | 1288                  |
| speed max.:             | (rpm)  | 1428                  |
| supply air temperature: | (°C)   | -25...<br>see diagram |
| capacitor:              | (µF)   | -                     |

**ErP-Data:**

|   |   |            |
|---|---|------------|
| total efficiency fan ( $\eta_e$ ):  | (%)   | 42,9       |
| installation category:  |   | A          |
| efficiency category:  |   | static     |
| efficiency grade: N   | (%)   | 44         |
| target efficiency ( $\eta_{target}$ ):                                      | (%)   | 41,8       |
| speed controller  |   | no         |
| year of manufacturing   |   | since 2015 |
| manufacturer:   | Fischbach Luft- und Ventilatorentechnik GmbH<br>D-57290 Neunkirchen / HRB 5804 Siegen |            |
| order no.:  |   | 18413100   |
| power input:  | (kW)  | 4,5        |
| air flow volume:  | (m³/h)  | 6671       |
| statical pressure:  | (Pa)  | 1042       |
| speed:  | (rpm)   | 1378       |
| specific ratio:   |   | 1          |
| disassembling/recycling/disposal: see page decommission                     |   |            |
| installation/operation/maintenance: see operating and mounting instructions |   |            |
| measurement for determination of efficiency without additional items        |   |            |



max. permissible ambient temperature from point 1-2: 30°C  
2-3: 60°C

**Speed controller / accessories / sound data**, please see in the appropriate table

Technical documentation according to page: **General information**