

**Series: ROOF TOP UNIT TYPE 41, norm**  
with FISCHBACH COMPACT FAN  
Type D/DS

**FISCHBACH**

Luft- und Ventilatorentechnik GmbH

**Type: 41.406 DS9-070/D5**

**ERP KONFORM**

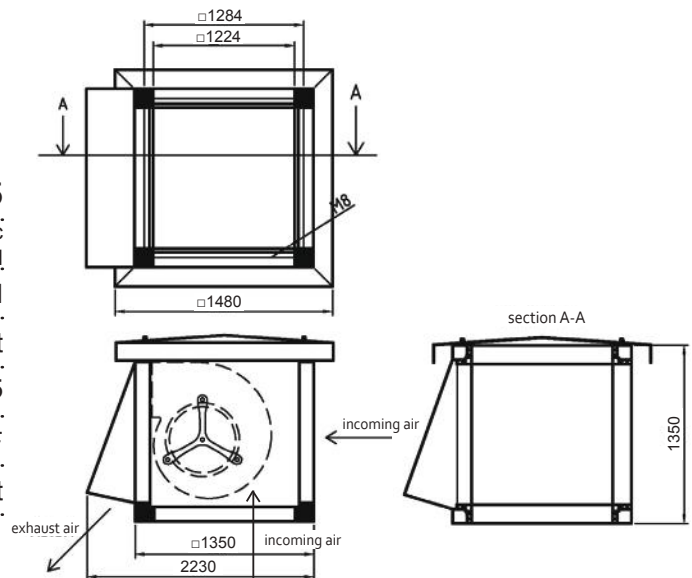
**CE** -conform



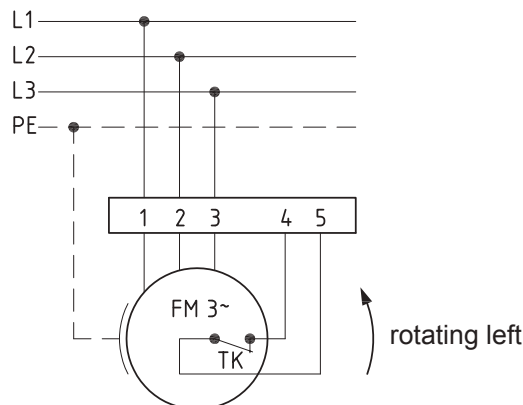
**manufacturer:**  
Fischbach Luft- und Ventilatorentechnik GmbH  
Am Hellerberg 22-24  
D-57290 Neunkirchen  
phone: ++49(0)2735/777-0  
telefax: ++49(0)2735/770-625  
internet: www.fischbach-luft.de  
email: info@fischbach-luft.de

**Technical Data**

weight:	(kg)	95
material housing:		aluminum/plastic steel, galvanized
material impeller:		steel, galvanized
direction of rotation:		left
motor protection class:		IP 65
insulation class:		F
motor protection:		thermal contact



**connection plan**  
0.13-2 I.



the silent one



Series: **ROOF TOP UNIT TYPE 41, norm**  
with FISCHBACH COMPACT FAN  
Type D/DS

**FISCHBACH**  
Luft- und Ventilatorentechnik GmbH

**Type: 41.406 DS9-070/D5**

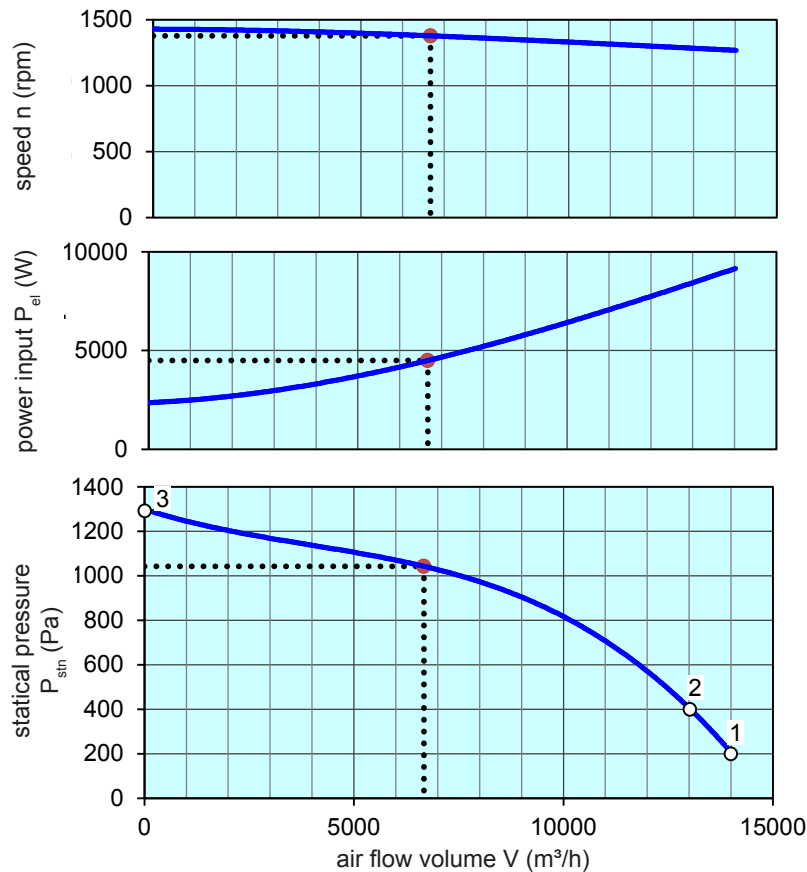
Erp 2013 2015 x 2018

**Performance data**

main voltage:	(V)	400 (3~)
frequency:	(Hz)	50
current max.:	(A)	18,1
power input max.:	(kW)	9,2
air flow volume max.:	(m³/h)	14025
statical pressure max.:	(Pa)	1288
speed max.:	(rpm)	1428
supply air temperature:	(°C)	-25... see diagram
capacitor:	(µF)	-

**ErP-Data:**

total efficiency fan ( $\eta_e$ ):	(%)	42,9
installation category:		A
efficiency category:		static
efficiency grade: N	(%)	44
target efficiency ( $\eta_{target}$ ):	(%)	41,8
speed controller		no
year of manufacturing		since 2015
manufacturer:	Fischbach Luft- und Ventilatorentechnik GmbH D-57290 Neunkirchen / HRB 5804 Siegen	
order no.:		18414060
power input:	(kW)	4,5
air flow volume:	(m³/h)	6671
statical pressure:	(Pa)	1042
speed:	(rpm)	1378
specific ratio:		1
disassembling/recycling/disposal: see page decommission		
installation/operation/maintenance: see operating and mounting instructions		
measurement for determination of efficiency without additional items		



max. permissible ambient temperature from point 1-2: 30°C  
2-3: 60°C

**Speed controller / accessories / sound data**, please see in the appropriate table

Technical documentation according to page: **General information**