

Series: ROOF TOP UNIT TYPE 42

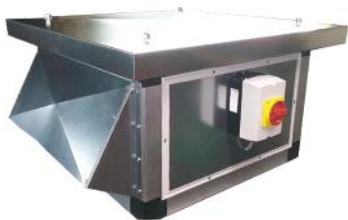
with freewheeling impeller with backward curved blades

FISCHBACH

Luft- und Ventilatorentechnik GmbH

Type: 42.102 FLR400E25

ERP KONFORM

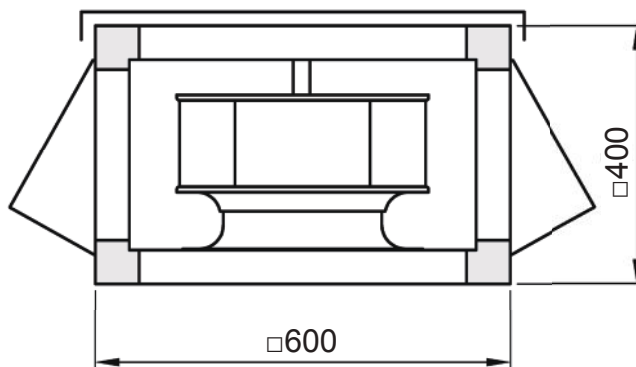


manufacturer:

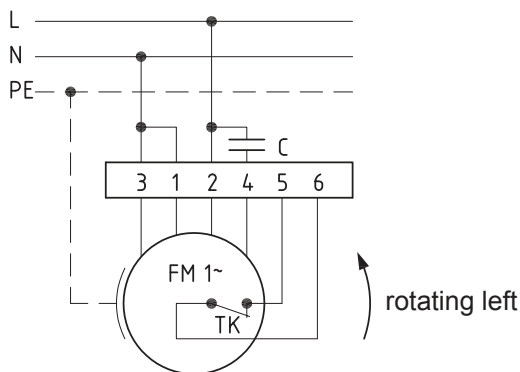
Fischbach Luft- und Ventilatorentechnik GmbH
Am Hellerberg 22-24
D-57290 Neunkirchen
phone: ++49(0)2735/777-0
telefax: ++49(0)2735/770-625
internet: www.fischbach-luft.de
email: info@fischbach-luft.de

Technical Data

weight:	(kg)	24,5
material housing:		aluminum/plastic steel, galvanized
material impeller:		steel, galvanized
direction of rotation:		left
motor protection class:		IP 65
insulation class:		F
motor protection:		thermal contact



**connection plan
0.11-1 I.**



the silent one

Series: ROOF TOP UNIT TYPE 42

with freewheeling impeller with backward curved blades

FISCHBACH

Luft- und Ventilatorentechnik GmbH

Type: 42.102 FLR400E25

Erp 2013**x 2015 2018

Performance data

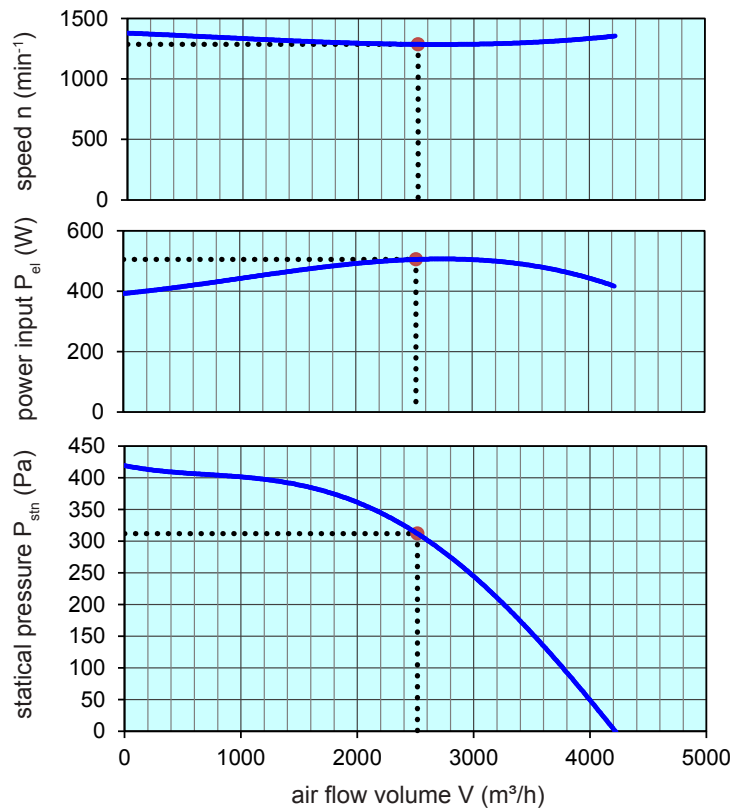
main voltage:	(V)	230 (1~)
frequency:	(Hz)	50
current max.:	(A)	2,4
power input max.:	(kW)	0,51
air flow volume max.:	(m³/h)	4222
statical pressure max.:	(Pa)	420
speed max.:	(rpm)	1377
supply air temperature:	(°C)	-25...+60
capacitor:	(µF)	16

** not suitable for distribution in EU countries, please choose an appropriate EC fan or contact our technical department

ErP-Data:

total efficiency fan (η_e):	(%)	44,3
installation category:		A
efficiency category:		static
efficiency grade: N	(%)	58
target efficiency (η_{target}):	(%)	44,3
speed controller		no
year of manufacturing		since 2015
manufacturer:	Fischbach Luft- und Ventilatorentechnik GmbH D-57290 Neunkirchen / HRB 5804 Siegen	
order no.:		58415020
power input:	(kW)	0,5
air flow volume:	(m³/h)	2530
statical pressure:	(Pa)	315
speed:	(rpm)	1286
specific ratio:		1

disassembling/recycling/disposal: see page decommission
 installation/operation/maintenance: see operating and mounting instructions
 measurement for determination of efficiency without additional items



Voltage Control	type	order.-no.
FISCHBACH-Speed-Controller, stepless	FDR 55	6163
FISCHBACH-Speed-Controller, stepwise	FDR 420	6201
FISCHBACH-Automatic-Control	FRA 55	6252
FISCHBACH-Control-Unit Frequency-Converter	FRE 6	63001

Technical documentation according to page: **General information**