

**Series: VENTILATION UNIT VF flat**  
 with FISCHBACH COMPACT FAN  
 Type CFE EC-MOTOR

**FISCHBACH**  
 Luft- und Ventilatorentechnik GmbH

**Type: VF502-EC 2xCFE9-070/DM2**

**ERP KONFORM**

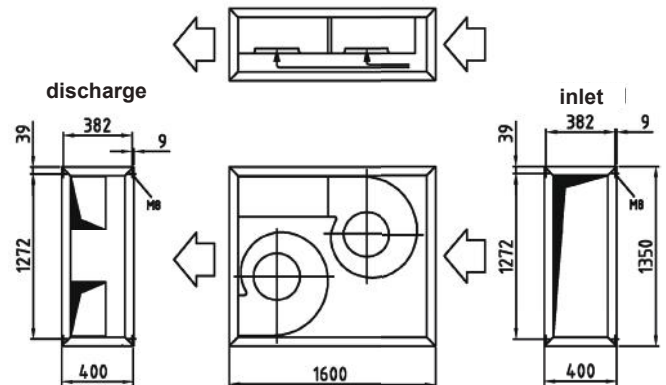


**manufacturer:**

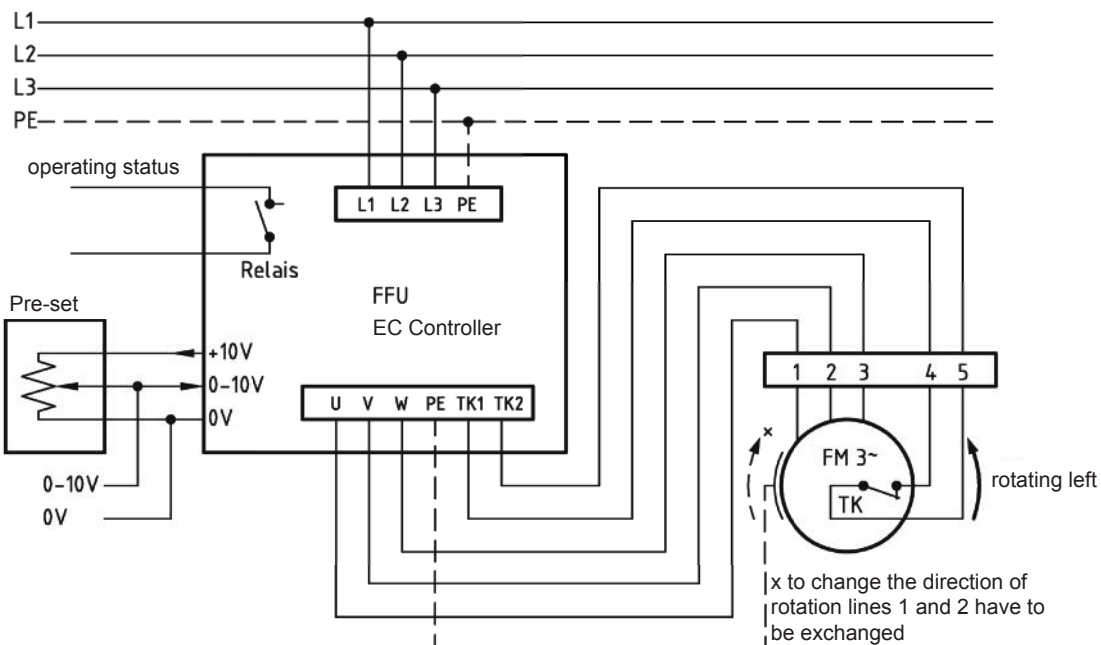
Fischbach Luft- und Ventilatorentechnik GmbH  
 Am Hellerberg 22-24  
 D-57290 Neunkirchen  
 phone: ++49(0)2735/777-0  
 telefax: ++49(0)2735/770-133  
 internet: www.fischbach-luft.de  
 email: info@fischbach-luft.de

**Technical Data**

|                         |                                       |     |
|-------------------------|---------------------------------------|-----|
| weight:                 | (kg)                                  | 136 |
| material housing:       | aluminum/plastic<br>steel, galvanized |     |
| material impeller:      | steel, galvanized                     |     |
| direction of rotation:  | left/right                            |     |
| motor protection class: | IP 65                                 |     |
| insulation class:       | F                                     |     |
| motor protection:       | thermal contact                       |     |



**connection plan\*  
 FFU-EC 400**



\* Connection only according to the enclosed technical documentation.

the silent one



**Type: VF502-EC 2xCFE9-070/DM2**

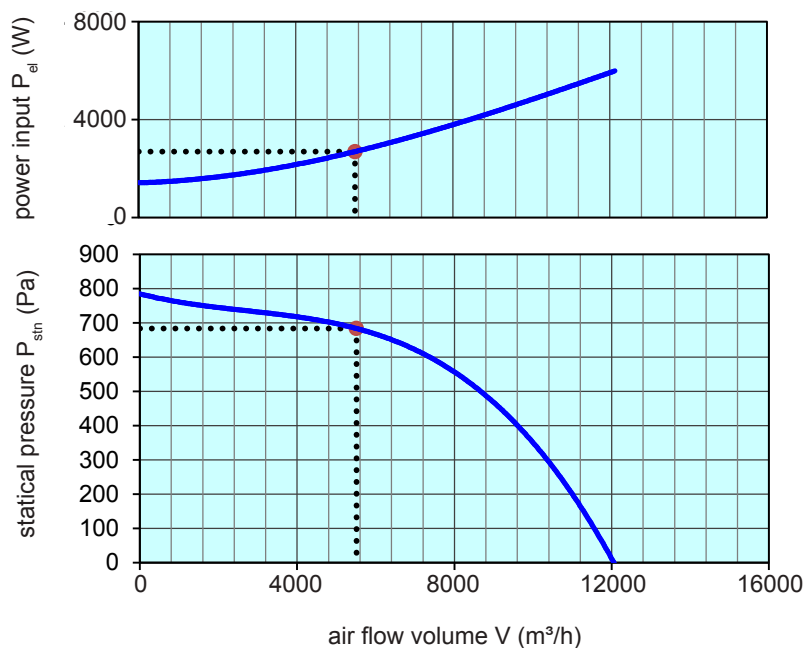
Erp 2013 2015 **x** 2018

**Performance data**

|                         |        |            |
|-------------------------|--------|------------|
| main voltage:           | (V)    | 400 (3~)   |
| frequency:              | (Hz)   | 50         |
| current max.:           | (A)    | 12,7       |
| power input max.:       | (kW)   | 6,0        |
| air flow volume max.:   | (m³/h) | 12100      |
| statical pressure max.: | (Pa)   | 787        |
| speed max.:             | (rpm)  | 1200       |
| supply air temperature: | (°C)   | -25... +45 |
| capacitor:              | (µF)   | -          |

**ErP-Data:**

|   |   |              |
|---|---|--------------|
| total efficiency fan ( $\eta_e$ ):  | (%)   | 41,8         |
| installation category:  |   | A            |
| efficiency category:  |   | static       |
| efficiency grade: N   | (%)   | 44           |
| target efficiency ( $\eta_{target}$ ):                                      | (%)   | 38,5         |
| speed controller  |   | yes          |
| year of manufacturing   |   | since 2015   |
| manufacturer:   | Fischbach Luft- und Ventilatorentechnik GmbH<br>D-57290 Neunkirchen / HRB 5804 Siegen |              |
| order no.:  |   | upon request |
| power input:  | (kW)  | 2,7          |
| air flow volume:  | (m³/h)  | 5500         |
| statical pressure:  | (Pa)  | 683          |
| speed:  | (rpm)   | 1200         |
| specific ratio:   |   | 1            |
| disassembling/recycling/disposal: see page decommission                     |   |              |
| installation/operation/maintenance: see operating and mounting instructions |   |              |
| measurement for determination of efficiency without additional items        |   |              |



| control with                                   | type       | order-Nr.    |
|--|------------|--------------|
| FISCHBACH-frequency-converter                  | FFU3-21-11 | <b>63775</b> |
| FISCHBACH-Pre-set 0-10V (optional accessories) | FS 10      | <b>69460</b> |

Technical documentation according to page: **General information**