

Series: VENTILATION UNIT VF flat
with FISCHBACH COMPACT FAN
Type CFE

FISCHBACH

Luft- und Ventilatorentechnik GmbH

Type: VF102 CFE7-840/E35

ERP KONFORM

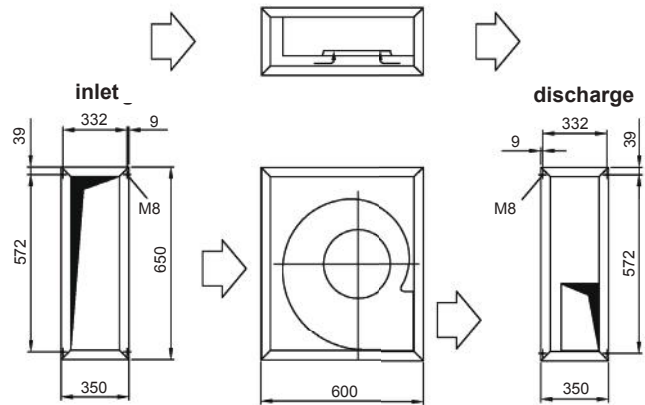


manufacturer:

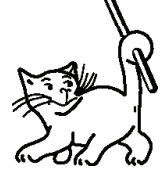
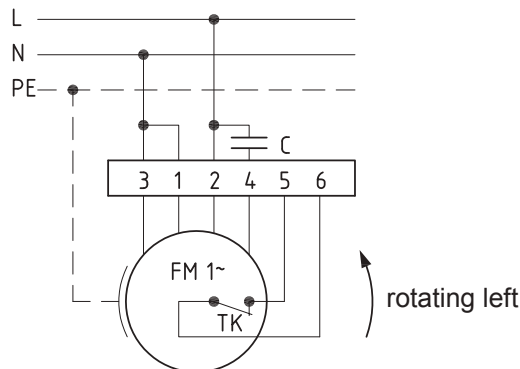
Fischbach Luft- und Ventilatorentechnik GmbH
Am Hellerberg 22-24
D-57290 Neunkirchen
phone: ++49(0)2735/777-0
telefax: ++49(0)2735/770-133
internet: www.fischbach-luft.de
email: info@fischbach-luft.de

Technical Data

weight:	(kg)	23
material housing:	aluminum/plastic steel, galvanized	
material impeller:	steel, galvanized	
direction of rotation:	left	
motor protection class:	IP 65	
insulation class:	F	
motor protection:	thermal contact	



connection plan
0.11-1 l.



the silent one

Type: VF102 CFE7-840/E35

Erp 2015 x 2016 2018

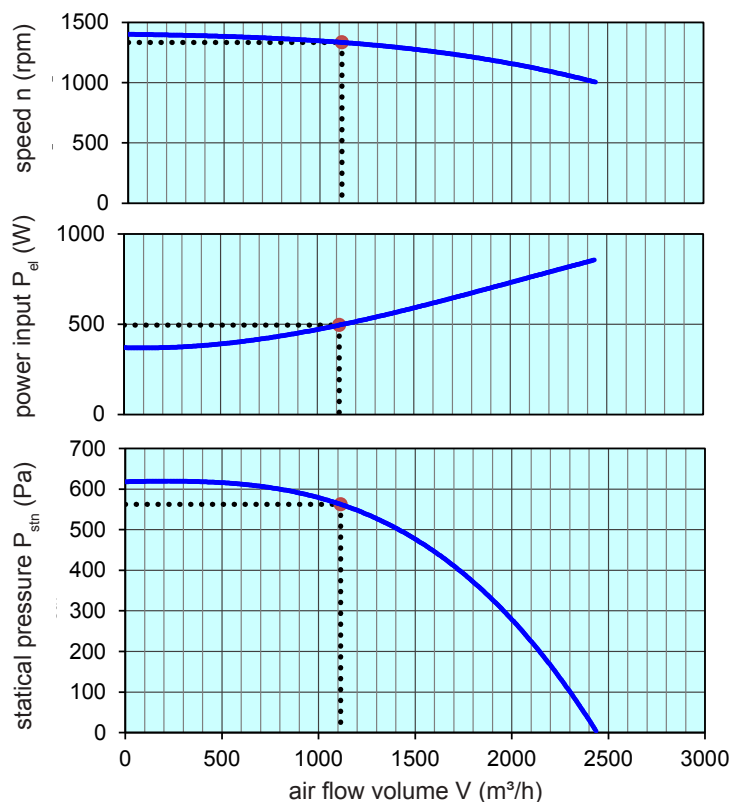
Performance data

main voltage:	(V)	230 (1~)
frequency:	(Hz)	50
current max.:	(A)	4,7
power input max.:	(kW)	0,9
air flow volume max.:	(m³/h)	2436
statical pressure max.:	(Pa)	620
speed max.:	(rpm)	1399
supply air temperature:	(°C)	-20... +60
capacitor:	(µF)	16

ErP-Data:

total efficiency fan (η_e):	(%)	36,0
installation category:		A
efficiency category:		static
efficiency grade: N	(%)	40
target efficiency (η_{target}):	(%)	35,7
speed controller		no
year of manufacturing		since 2015
manufacturer:	Fischbach Luft- und Ventilatorentechnik GmbH D-57290 Neunkirchen / HRB 5804 Siegen	
order no.:		58312020
power input:	(kW)	0,49
air flow volume:	(m³/h)	1115
statical pressure:	(Pa)	569
speed:	(rpm)	1336
specific ratio:		1

disassembling/recycling/disposal: see page decommission
installation/operation/maintenance: see operating and mounting instructions
measurement for determination of efficiency without additional items



Speed controller / accessories / sound data, please see in the appropriate table

Technical documentation according to page: **General information**