

Series: VENTILATION UNIT VF flat
with FISCHBACH COMPACT FAN
Type CFE

FISCHBACH
Luft- und Ventilatorentechnik GmbH

Type: VF 311 CFE930/D1

ERP KONFORM

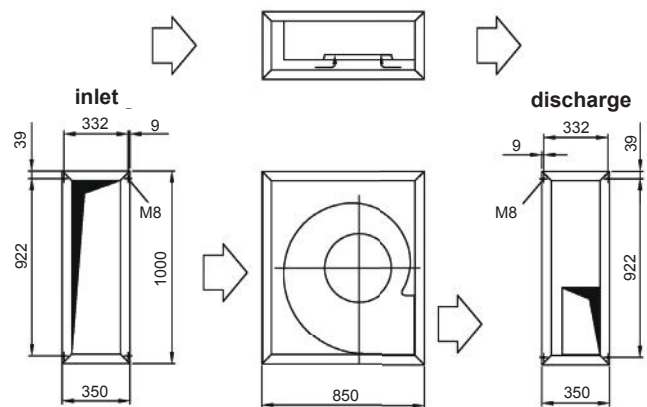


CE -conform

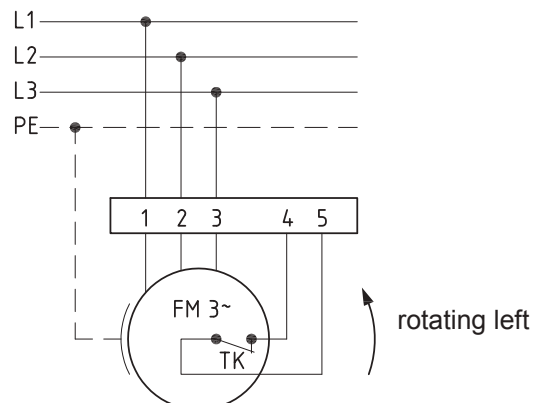
manufacturer:
Fischbach Luft- und Ventilatorentechnik GmbH
Am Hellerberg 22-24
D-57290 Neunkirchen
phone: ++49(0)2735/777-0
telefax: ++49(0)2735/770-625
internet: www.fischbach-luft.de
email: info@fischbach-luft.de

Technical Data

weight:	(kg)	47
material housing:	aluminum/plastic steel, galvanized	
material impeller:	steel, galvanized	
direction of rotation:	left	
motor protection class:	IP 65	
insulation class:	F	
motor protection:	thermal contact	



connection plan
0.13-2 I.



the silent one



Type: VF 311 CFE930/D1

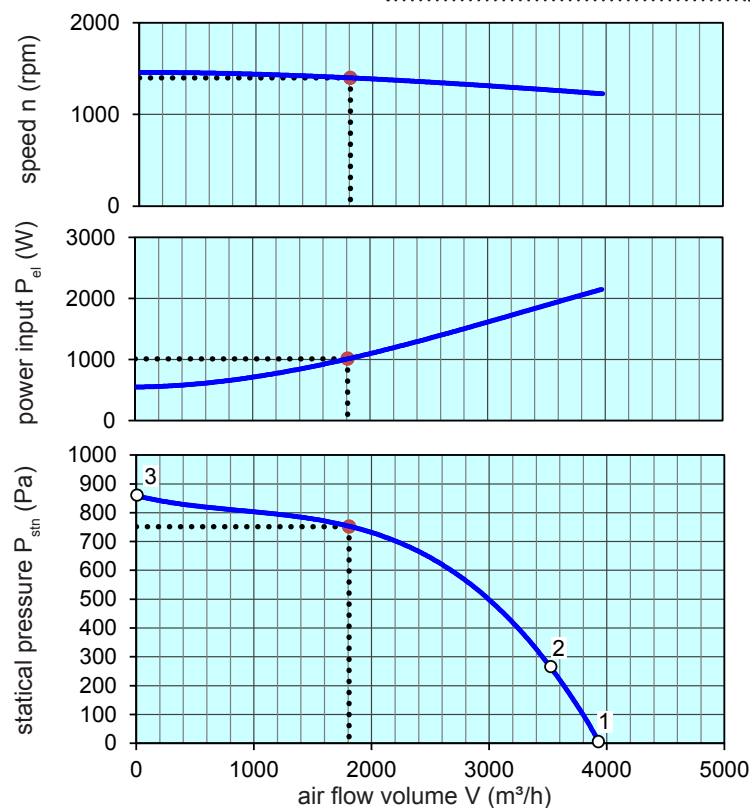
Erp 2013 2015 x 2018

Performance data

main voltage:	(V)	400 (3~)
frequency:	(Hz)	50
current max.:	(A)	4,4
power input max.:	(kW)	2,3
air flow volume max.:	(m³/h)	3972
statical pressure max.:	(Pa)	855
speed max.:	(rpm)	1459
supply air temperature:	(°C)	-25... see diagram
capacitor:	(µF)	-

ErP-Data:

total efficiency fan (η_e):	(%)	37,8
installation category:		A
efficiency category:		static
efficiency grade: N	(%)	44
target efficiency (η_{target}):	(%)	37,7
speed controller		no
year of manufacturing		since 2015
manufacturer:	Fischbach Luft- und Ventilatorentechnik GmbH D-57290 Neunkirchen / HRB 5804 Siegen	
order no.:		58332126
power input:	(kW)	1,0
air flow volume:	(m³/h)	1810
statical pressure:	(Pa)	751
speed:	(rpm)	1398
specific ratio:		1
disassembling/recycling/disposal: see page decommission		
installation/operation/maintenance: see operating and mounting instructions		
measurement for determination of efficiency without additional items		



max. permissible ambient temperature from point 1-2: 40°C
2-3: 60°C

control with	type	order.-no.
FISCHBACH-Speed-Controller, stepless	FDR 55/3	6231
FISCHBACH-Speed-Controller, stepwise	FDR 5.5/3	6182
FISCHBACH-frequency converter	FFU3-21-4	63760

Technical documentation according to page: **General information**