

**Series: VENTILATION UNIT VF flat**  
with FISCHBACH COMPACT FAN  
Type CFE

**FISCHBACH**

Luft- und Ventilatorentechnik GmbH

**Type: VF 408 CFE930/D1**

**ERP KONFORM**



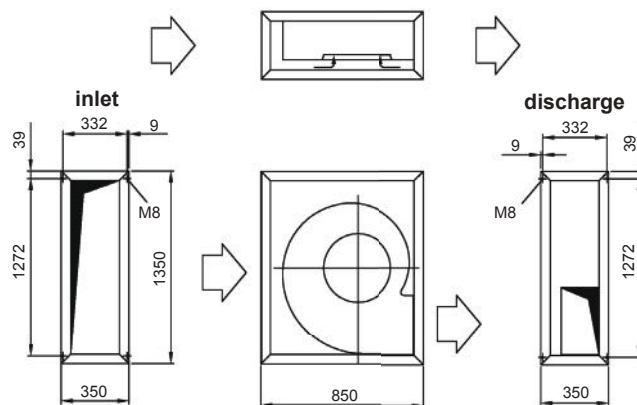
**CE** -conform

**manufacturer:**

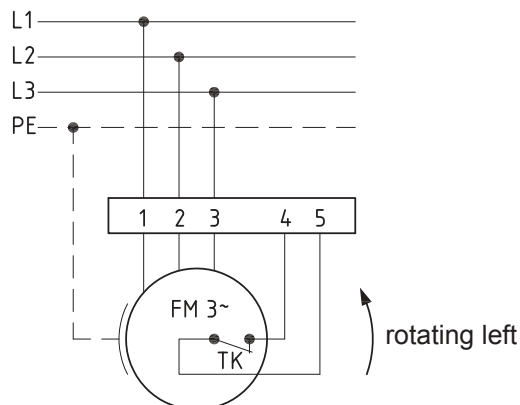
Fischbach Luft- und Ventilatorentechnik GmbH  
Am Hellerberg 22-24  
D-57290 Neunkirchen  
phone: ++49(0)2735/777-0  
telefax: ++49(0)2735/770-625  
internet: www.fischbach-luft.de  
email: info@fischbach-luft.de

**Technical Data**

weight:	(kg)	50
material housing:	aluminum/plastic	
	steel, galvanized	
material impeller:	steel, galvanized	
direction of rotation:	left	
motor protection class:	IP 65	
insulation class:	F	
motor protection:	thermal contact	

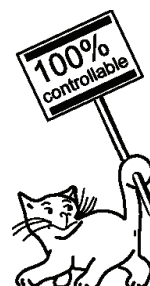


**connection plan**  
0.13-2 I.



rotating left

the silent one



**Type: VF 408 CFE930/D1**

Erp 2013 2015 x 2018

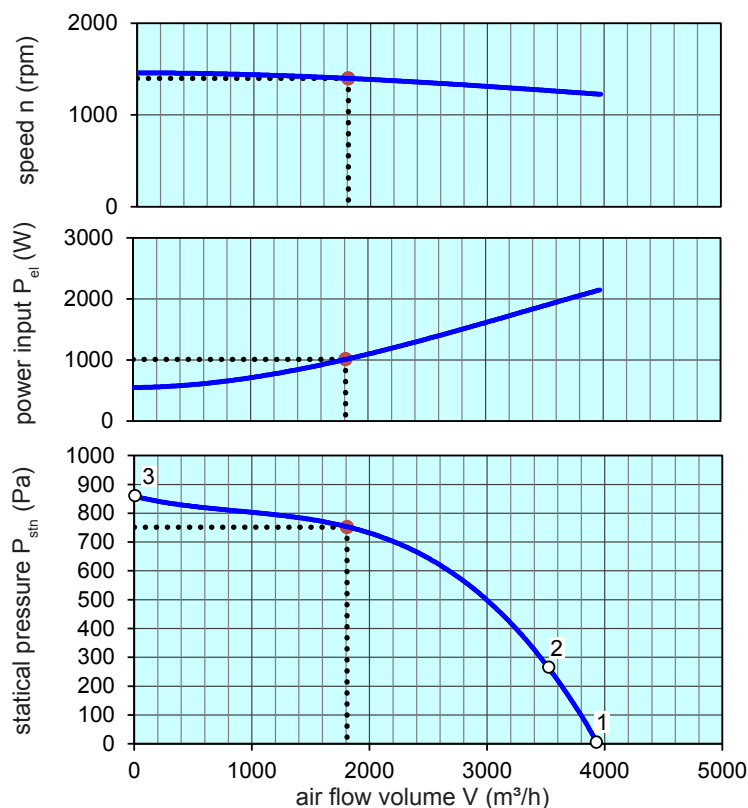
**Performance data**

main voltage:	(V)	400 (3~)
frequency:	(Hz)	50
current max.:	(A)	4,4
power input max.:	(kW)	2,3
air flow volume max.:	(m³/h)	3972
statical pressure max.:	(Pa)	855
speed max.:	(rpm)	1459
supply air temperature:	(°C)	-25... see diagram
capacitor:	(µF)	-

**ErP-Data:**

total efficiency fan ( $\eta_e$ ):	(%)	37,8
installation category:		A
efficiency category:		static
efficiency grade: N	(%)	44
target efficiency ( $\eta_{target}$ ):	(%)	37,7
speed controller		no
year of manufacturing		since 2015
manufacturer:	Fischbach Luft- und Ventilatorentechnik GmbH D-57290 Neunkirchen / HRB 5804 Siegen	
order no.:		58342106
power input:	(kW)	1,0
air flow volume:	(m³/h)	1810
statical pressure:	(Pa)	751
speed:	(rpm)	1398
specific ratio:		1

disassembling/recycling/disposal: see page decommission  
installation/operation/maintenance: see operating and mounting instructions  
measurement for determination of efficiency without additional items



max. permissible ambient temperature from point 1-2: 40°C  
2-3: 60°C

control with	type	order.-no.
FISCHBACH-Speed-Controller, stepless	FDR 55/3	<b>6231</b>
FISCHBACH-Speed-Controller, stepwise	FDR 5.5/3	<b>6182</b>
FISCHBACH-frequency converter	FFU3-21-4	<b>63760</b>

Technical documentation according to page: **General information**