

Series: VENTILATION UNIT VF flat
with FISCHBACH COMPACT FAN
Type CFE

FISCHBACH

Luft- und Ventilatorentechnik GmbH

Type: VF503 2xCFE9-070/D2.5

ERP KONFORM



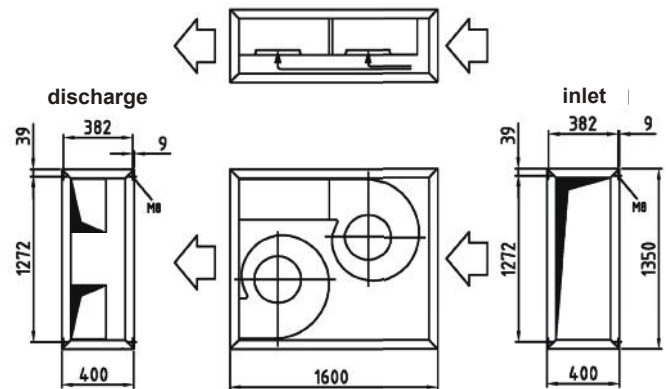
CE -conform

manufacturer:

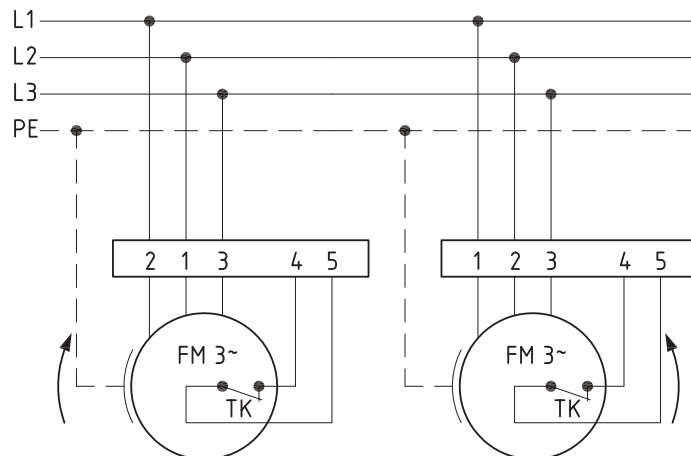
Fischbach Luft- und Ventilatorentechnik GmbH
Am Hellerberg 22-24
D-57290 Neunkirchen
phone: ++49(0)2735/777-0
telefax: ++49(0)2735/770-625
internet: www.fischbach-luft.de
email: info@fischbach-luft.de

Technical Data

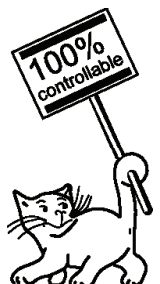
weight:	(kg)	140
material housing:	aluminum/plastic steel, galvanized	
material impeller:	steel, galvanized	
direction of rotation:	left/right	
motor protection class:	IP 65	
insulation class:	F	
motor protection:	thermal contact	



connection plan
0.16-1 /0.16a-1



the silent one



Type: VF503 2xCFE9-070/D2.5

Erp 2013 2015 **x** 2018

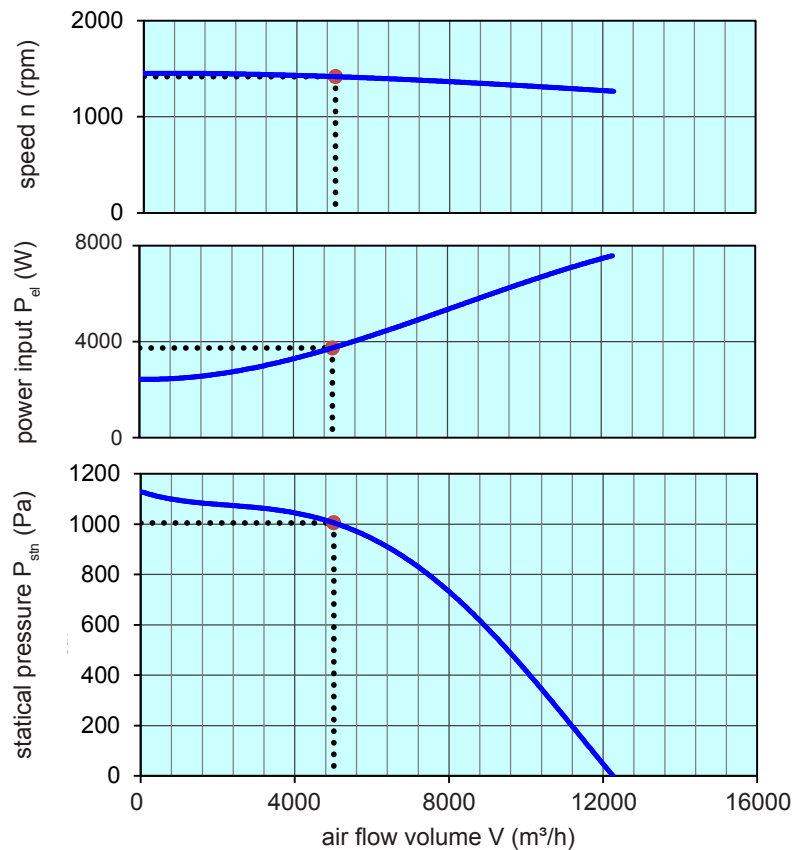
Performance data

main voltage:	(V)	400 (3~)
frequency:	(Hz)	50
current max.:	(A)	16,7
power input max.:	(kW)	7,6
air flow volume max.:	(m³/h)	12300
statical pressure max.:	(Pa)	1122
speed max.:	(rpm)	1454
supply air temperature:	(°C)	-25...+60
capacitor:	(µF)	-

ErP-Data:

total efficiency fan (η_e):	(%)	39,2
installation category:		A
efficiency category:		static
efficiency grade: N	(%)	44
target efficiency (η_{target}):	(%)	39,2
speed controller		no
year of manufacturing		since 2015
manufacturer:	Fischbach Luft- und Ventilatorentechnik GmbH D-57290 Neunkirchen / HRB 5804 Siegen	
order no.:		58345135
power input:	(kW)	3,6
air flow volume:	(m³/h)	5000
statical pressure:	(Pa)	1012
speed:	(rpm)	1417
specific ratio:		1

disassembling/recycling/disposal: see page decommission
installation/operation/maintenance: see operating and mounting instructions
measurement for determination of efficiency without additional items



control with	type	order-no.
FISCHBACH-Speed-Controller, stepless	FDR 200/3	6235
FISCHBACH-Speed-Controller, stepwise	FDR 20/3	6177
FISCHBACH-frequency converter	FFU3-21-15	63780

Technical documentation according to page: **General information**