

**Series: VENTILATION UNIT VN standard**  
with FISCHBACH COMPACT FAN  
Type D/DS

**FISCHBACH**

Luft- und Ventilatorentechnik GmbH

**Type: VN 103 DS6-740/E35**

**ERP KONFORM**



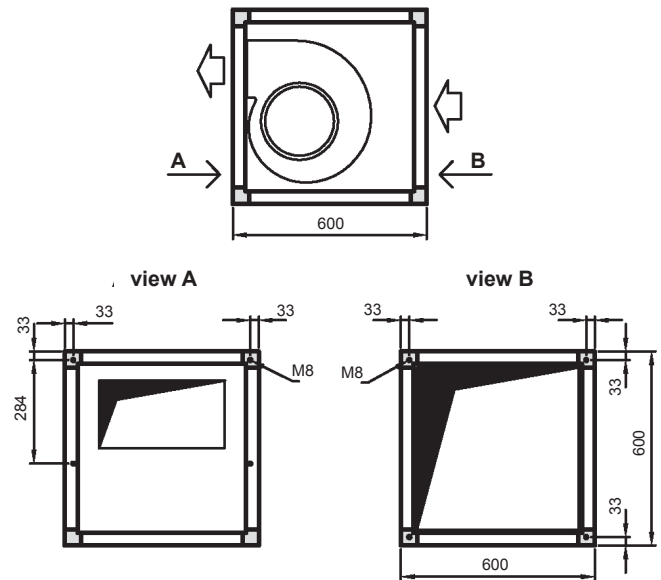
**CE** -conform

**manufacturer:**

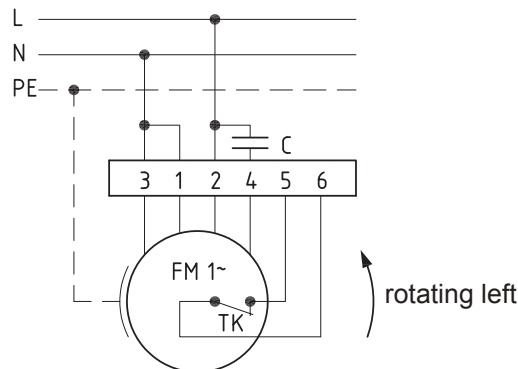
Fischbach Luft- und Ventilatorentechnik GmbH  
Am Hellerberg 22-24  
D-57290 Neunkirchen  
phone: ++49(0)2735/777-0  
telefax: ++49(0)2735/770-625  
internet: www.fischbach-luft.de  
email: info@fischbach-luft.de

**Technical Data**

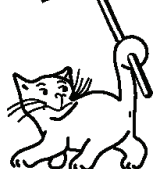
weight:	(kg)	30
material housing:	aluminum/plastic steel, galvanized	
material impeller:	steel, galvanized	
direction of rotation:	left	
motor protection class:	IP 65	
insulation class:	F	
motor protection:	thermal contact	



**connection plan**  
0.11-1 I



**100% controllable**



the silent one

**Series: VENTILATION UNIT VN standard**

with FISCHBACH COMPACT FAN

Type D/DS

**FISCHBACH**

Luft- und Ventilatorentechnik GmbH

**Type: VN 103 DS6-740/E35**

Erp 2013 2015 x 2018

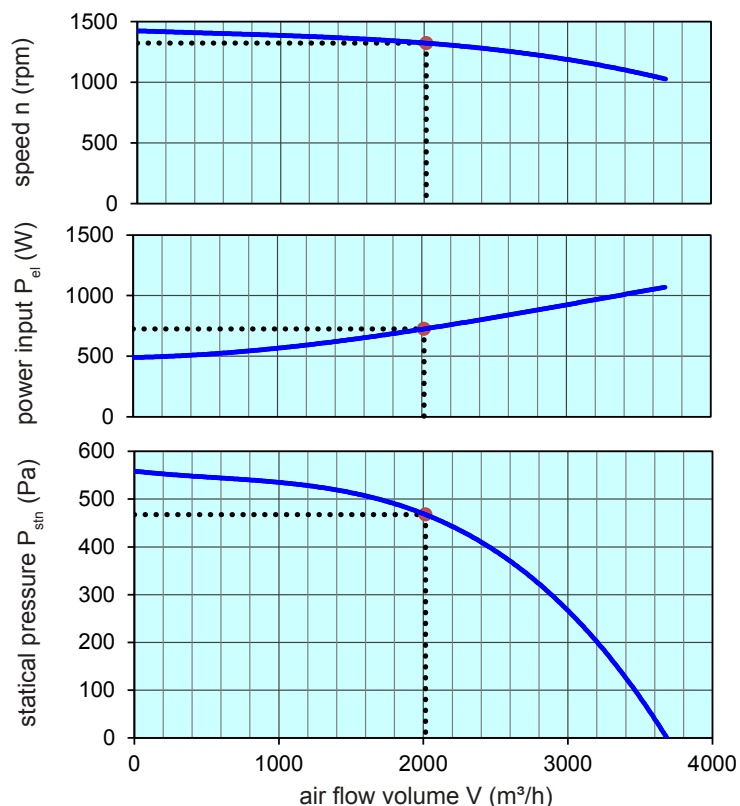
**Performance data**

main voltage:	(V)	230 (1~)
frequency:	(Hz)	50
current max.:	(A)	4,9
power input max.:	(kW)	1,1
air flow volume max.:	(m³/h)	3685
statical pressure max.:	(Pa)	550
speed max.:	(rpm)	1420
supply air temperature:	(°C)	-25... +60
capacitor:	(µF)	25

**ErP-Data:**

total efficiency fan ( $\eta_e$ ):	(%)	36,8
installation category:		A
efficiency category:		static
efficiency grade: N	(%)	44
target efficiency ( $\eta_{target}$ ):	(%)	36,7
speed controller		no
year of manufacturing		since 2015
manufacturer:	Fischbach Luft- und Ventilatorentechnik GmbH D-57290 Neunkirchen / HRB 5804 Siegen	
order no.:		58412035
power input:	(kW)	0,72
air flow volume:	(m³/h)	2030
statical pressure:	(Pa)	470
speed:	(rpm)	1322
specific ratio:		1

disassembling/recycling/disposal: see page decommission  
 installation/operation/maintenance: see operating and mounting instructions  
 measurement for determination of efficiency without additional items



Voltage Control	type	order.-no.
FISCHBACH-Speed-Controller, stepless	FDR 32	<b>6163</b>
FISCHBACH-Speed-Controller, stepwise	FDR 750	<b>6202</b>
FISCHBACH-Automatic-Control	FRA 55	<b>6252</b>
FISCHBACH-Control-Unit	FRE 6	<b>63001</b>

Technical documentation according to page: **General information**