

Series: VENTILATION UNIT VN standard
with FISCHBACH COMPACT FAN
Type D/DS

FISCHBACH
Luft- und Ventilatorentechnik GmbH

Type: VN 203 D770/D1

ERP KONFORM

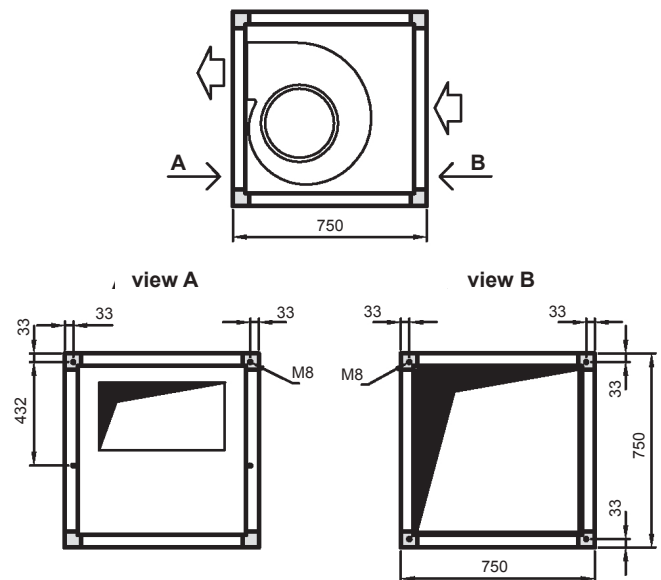
CE -conform



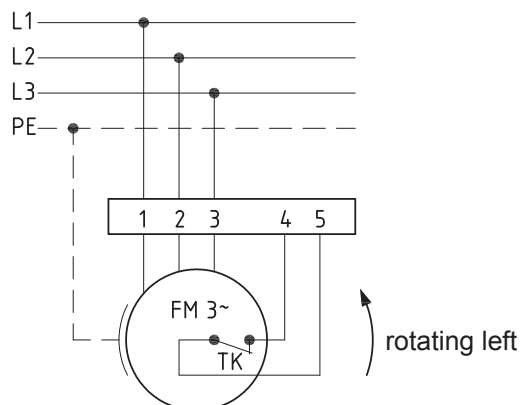
manufacturer:
Fischbach Luft- und Ventilatorentechnik GmbH
Am Hellerberg 22-24
D-57290 Neunkirchen
phone: ++49(0)2735/777-0
telefax: ++49(0)2735/770-625
internet: www.fischbach-luft.de
email: info@fischbach-luft.de

Technical Data

weight:	(kg)	35
material housing:	aluminum/plastic steel, galvanized	
material impeller:	steel, galvanized	
direction of rotation:	left	
motor protection class:	IP 65	
insulation class:	F	
motor protection:	thermal contact	



connection plan
0.13-2 I



the silent one

Series: VENTILATION UNIT VN standard

with FISCHBACH COMPACT FAN

Type D/DS

FISCHBACH

Luft- und Ventilatorentechnik GmbH

Type: VN 203 D770/D1

Erp 2013 2015 2018 x

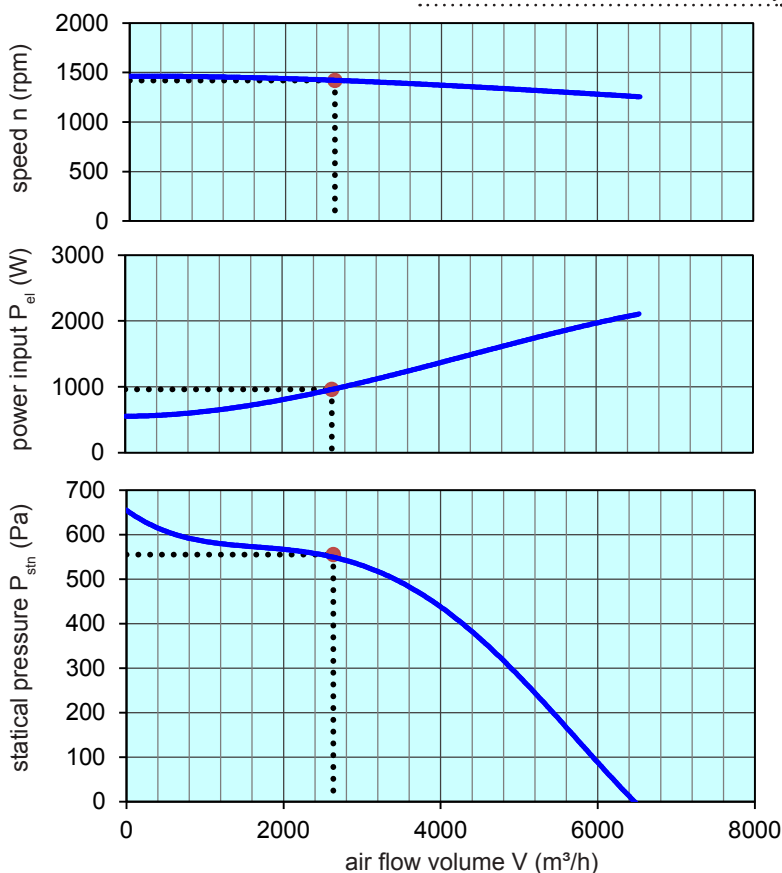
Performance data

main voltage:	(V)	400 (3~)
frequency:	(Hz)	50
current max.:	(A)	4,23
power input max.:	(kW)	2,1
air flow volume max.:	(m³/h)	6477
statical pressure max.:	(Pa)	650
speed max.:	(rpm)	1464
supply air temperature:	(°C)	-25... +60
capacitor:	(µF)	-

ErP-Data:

total efficiency fan (η_e):	(%)	42,3
installation category:		A
efficiency category:		static
efficiency grade: N	(%)	42
target efficiency (η_{target}):	(%)	41,7
speed controller		no
year of manufacturing		since 2015
manufacturer:	Fischbach Luft- und Ventilatorentechnik GmbH D-57290 Neunkirchen / HRB 5804 Siegen	
order no.:		58422030
power input:	(kW)	0,96
air flow volume:	(m³/h)	2635
statical pressure:	(Pa)	555
speed:	(rpm)	1422
specific ratio:		1

disassembling/recycling/disposal: see page decommission
 installation/operation/maintenance: see operating and mounting instructions
 measurement for determination of efficiency without additional items



control with	type	order.-no.
FISCHBACH-Speed-Controller, stepless	FDR 55/3	6231
FISCHBACH-Speed-Controller, stepwise	FDR 5.5/3	6182
FISCHBACH-frequency converter	FFU3-21-4	63760

Technical documentation according to page: **General information**