

Series: EASY-BOX FEB
with Freewheeling impeller with
backward curved blades

FISCHBACH
Luft- und Ventilatorentechnik GmbH

Type: FEB355/E25

ERP KONFORM



CE -conform

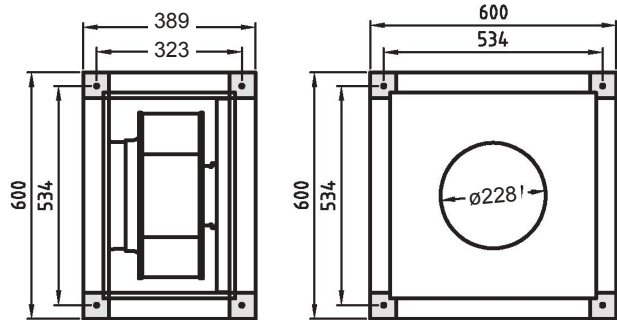
**UK
CA**

manufacturer:

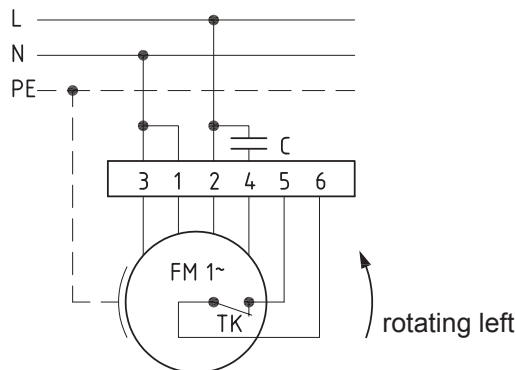
Fischbach Luft- und Ventilatorentechnik GmbH
Am Hellerberg 22-24
D-57290 Neunkirchen
phone: ++49(0)2735/777-0
telefax: ++49(0)2735/770-133
internet: www.fischbach-luft.de
email: info@fischbach-luft.de

Technical Data

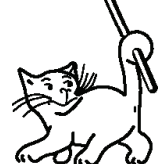
weight:	(kg)	25
material housing:	aluminum/plastic steel, galvanized	
material impeller:	steel, galvanized	
direction of rotation:	left	
motor protection class:	IP 65	
insulation class:	F	
motor protection:	thermal contact	



**connection plan
0.11-1 I.**



**100%
controllable**



the silent one

Series: EASY-BOX FEB
with Freewheeling impeller with
backward curved blades

FISCHBACH
Luft- und Ventilatorentechnik GmbH

Type: FEB355/E25

ErP 2013 2015 2018 x

Performance data

main voltage:	(V)	230 (1~)
frequency:	(Hz)	50
current max.:	(A)	2,0
power input max.:	(kW)	0,34
air flow volume max.:	(m³/h)	3275
statical pressure max.:	(Pa)	401
speed max.:	(rpm)	1422
max. air flow temperature	(°C)	80
max. ambient temperature	(°C)	30
capacitor:	(µF)	12

Messung mit 2 geöffneten Seiten! / measurement with 2 opened sides! / Mesure avec 2 côtés ouverts!

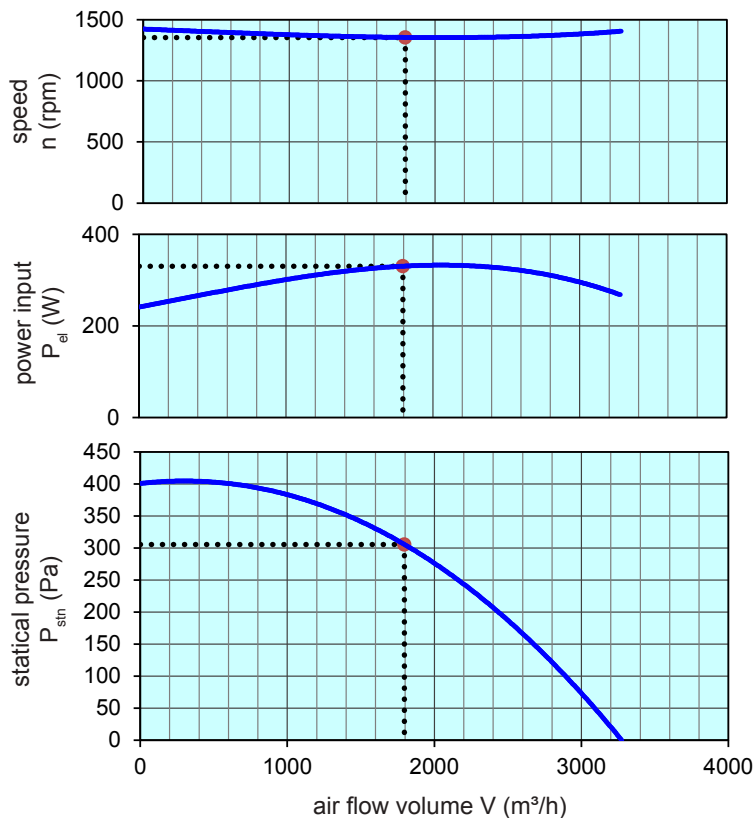
ErP-Data:

total efficiency fan (η_e):	(%)	46,4
installation category:		A
efficiency category:		static
efficiency grade: N	(%)	46,4
target efficiency (η_{target}):	(%)	
speed controller		no
year of manufacturing		since 2015
manufacturer:	Fischbach Luft- und Ventilatorentechnik GmbH D-57290 Neunkirchen / HRB. 5804 Siegen	
order no. (left)		18072600
power input:	(kW)	0,33
air flow volume:	(m³/h)	1800
statical pressure:	(Pa)	306
speed:	(rpm)	1354
specific ratio:		1

disassembling/recycling/disposal: see page decommission

installation/operation/maintenance: see operating and mounting instructions

measurement for determination of efficiency without additional items



Speed controller / accessories / sound data, please see in the appropriate table

Technical documentation according to page: **General information**