

Series: THERMAL-EXHAUST-UNIT FMBT-EC
 with Freewheeling impeller with
 backward curved blades **EC-MOTOR**

FISCHBACH

Luft- und Ventilatorentechnik GmbH

Type: FMBT-EC-40/355/EM25

ERP KONFORM



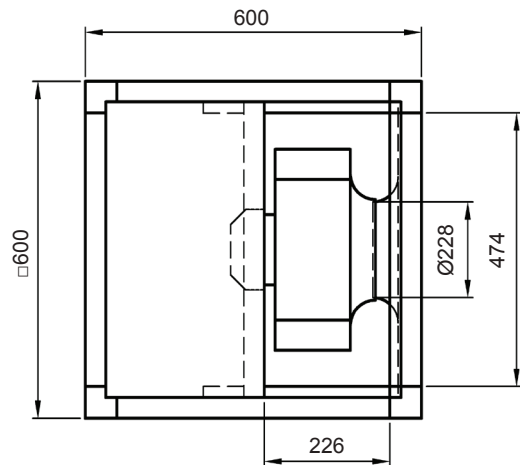
CE -conform

manufacturer:

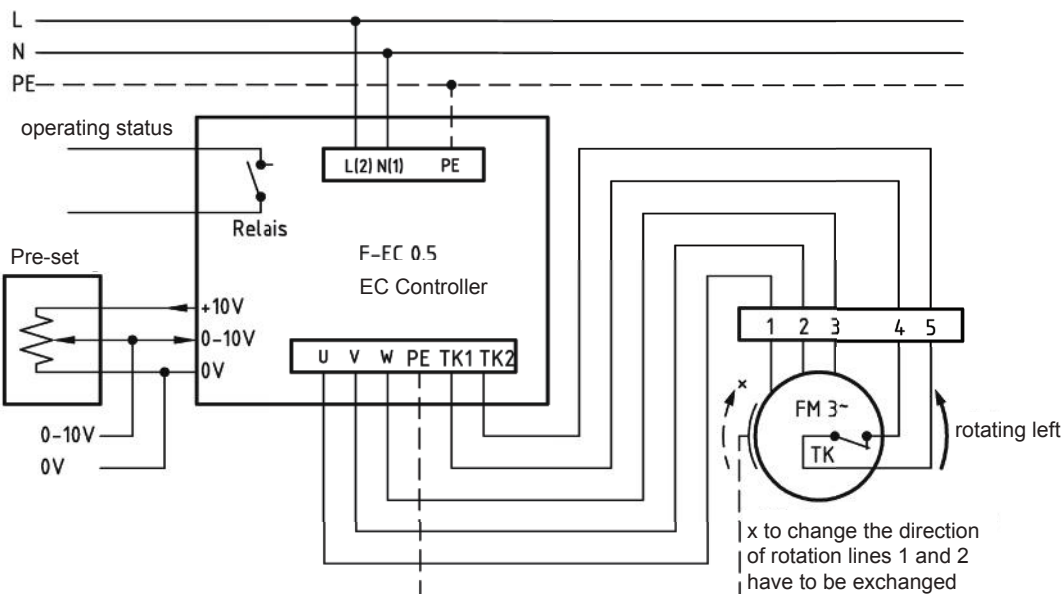
Fischbach Luft- und Ventilatorentechnik GmbH
 Am Hellerberg 22-24
 D-57290 Neunkirchen
 phone: ++49(0)2735/777-0
 telefax: ++49(0)2735/770-625
 internet: www.fischbach-luft.de
 email: info@fischbach-luft.de

Technical Data

weight:	(kg)	25
material housing:	aluminum/plastic	
	steel, galvanized	
material impeller:	steel, galvanized	
direction of rotation:	left/right	
motor-protection class:	IP 65	
insulation class:	F	
motor protection:	thermal contact	



connection plan*
F-EC 0.5



* Connection only according to the enclosed technical documentation.

the silent one



Series: THERMAL-EXHAUST-UNIT FMBT-EC

with Freewheeling impeller with
backward curved blades **EC-MOTOR**

FISCHBACH

Luft- und Ventilatorentechnik GmbH

Type: FMBT-EC-40/355/EM25

Erp 2013 2015 2018 x

Performance data

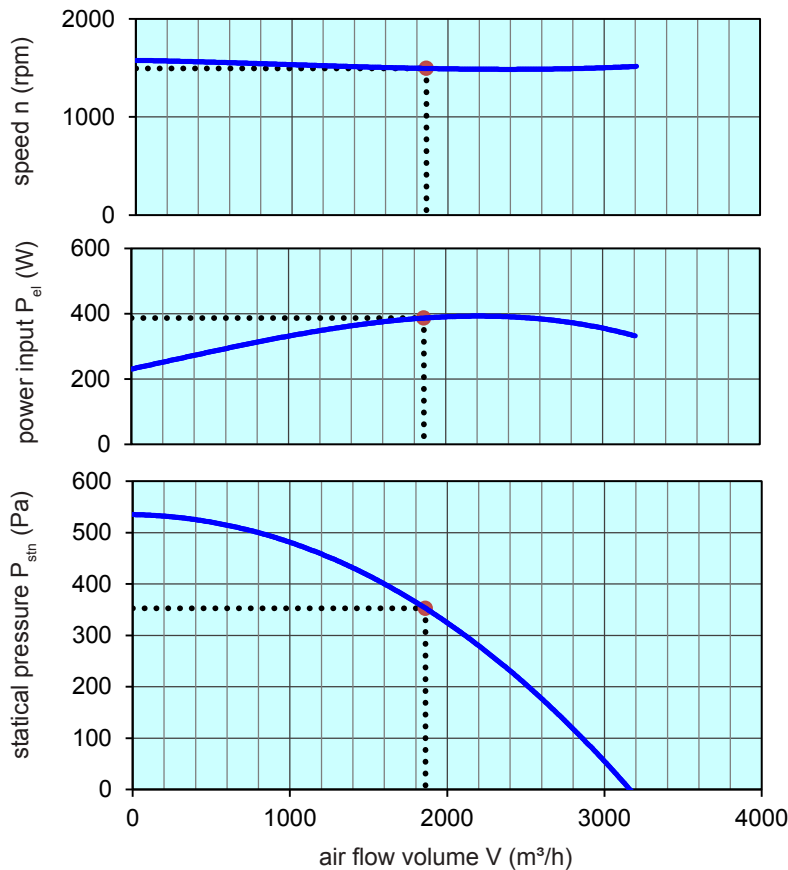
main voltage:	(V)	230 (1~)
frequency:	(Hz)	50
current max.:	(A)	2,8
power input max.:	(kW)	0,4
air flow volume max.:	(m³/h)	3207
statical pressure max.:	(Pa)	540
speed max.:	(rpm)	1573
max. air flow temperature	(°C)	+80
max. ambient temperature	(°C)	+30
capacitor:	(µF)	-

* One discharge! With two discharges the performance increases by approx.10%

ErP-Data:

total efficiency fan (η_e):	(%)	52,2
installation category:		A
efficiency category:		static
efficiency grade: N	(%)	62
target efficiency (η_{target}):	(%)	47,2
speed controller		yes
year of manufacturing		since 2015
manufacturer:	Fischbach Luft- und Ventilatorentechnik GmbH D-57290 Neunkirchen / HRB 5804 Siegen	
order no.		18172700
power input:	(kW)	0,39
air flow volume:	(m³/h)	1861
statical pressure:	(Pa)	353
speed:	(rpm)	1494
specific ratio:		1

disassembling/recycling/disposal: see page decommission
installation/operation/maintenance: see operating and mounting instructions
measurement for determination of efficiency without additional items



control with	type	order-Nr.
FISCHBACH-EC-controller	F-EC 0.5	63003
FISCHBACH-Pre-set 0-10V (optional accessories)	FS 10	69460

Technical documentation according to page: **General information**