

Series: EASY-BOX FEB
with Freewheeling impeller with
backward curved blades

FISCHBACH
Luft- und Ventilatorentechnik GmbH

Type: FEB560/D2.5

ERP KONFORM



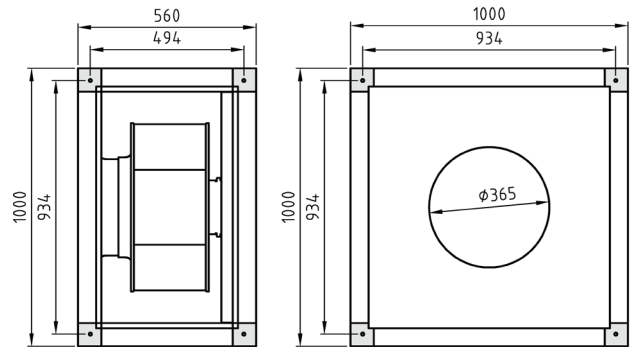
CE -conform

**UK
CA**

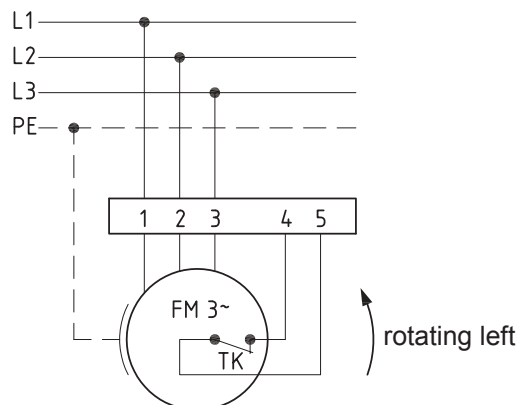
manufacturer:
Fischbach Luft- und Ventilatorentechnik GmbH
Am Hellerberg 22-24
D-57290 Neunkirchen
phone: ++49(0)2735/777-0
telefax: ++49(0)2735/770-133
internet: www.fischbach-luft.de
email: info@fischbach-luft.de

Technical Data

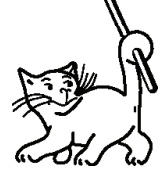
weight:	(kg)	ca.70
material housing:		aluminum/plastic steel, galvanized
material impeller:		steel, galvanized
direction of rotation:		left
motor protection class:		IP 65
insulation class:		F
motor protection:		thermal contact



connection plan
0.13-2 I.



**100%
controllable**



the silent one

Series: EASY-BOX FEB
with Freewheeling impeller with
backward curved blades

FISCHBACH
Luft- und Ventilatorentechnik GmbH

Type: FEB560/D2.5

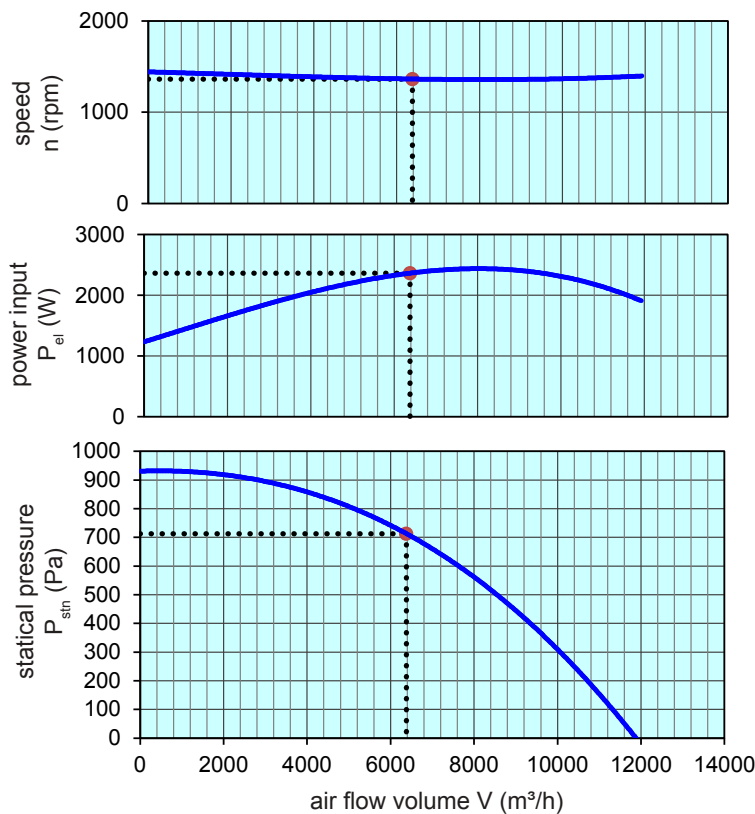
ErP 2013 2015 2018 x

Performance data

main voltage:	(V)	400 (3~)
frequency:	(Hz)	50
current max.:	(A)	6,2
power input max.:	(kW)	2,5
air flow volume max.:	(m³/h)	11900
statical pressure max.:	(Pa)	933
speed max.:	(rpm)	1440
max. air flow temperature	(°C)	80
max. ambient temperature	(°C)	30
capacitor:	(µF)	-

ErP-Data:

total efficiency fan (η_e):	(%)	55,4
installation category:		A
efficiency category:		static
efficiency grade: N	(%)	62
target efficiency (η_{target}):	(%)	55,4
speed controller		no
year of manufacturing		since 2015
manufacturer: Fischbach Luft- und Ventilatorentechnik GmbH D-57290 Neunkirchen / HRB 5804 Siegen		
order no. (left)		auf Anfrage
power input:	(kW)	2,34
air flow volume:	(m³/h)	6430
statical pressure:	(Pa)	725
speed:	(rpm)	1359
specific ratio:		1
disassembling/recycling/disposal: see page decommission		
installation/operation/maintenance: see operating and mounting instructions		
measurement for determination of efficiency without additional items		



Speed controller / accessories / sound data, please see in the appropriate table

Technical documentation according to page: **General information**